



2.594 GHz Monoblock Ceramic BPF



ANATECH ELECTRONICS INC
RF & Microwave Filters & Products

Part Number: AM2594B1083

Electrical specifications

- Center Frequency:** 2594 MHz
- Bandwidth:** 196 MHz
- Input / Output Impedance:** 50 Ohms
- Passband:** 2496–2692 MHz
- Passband Insertion Loss:** 1.4 dB
- Passband Ripple:** 2496–2692 MHz 1.0 dB
- Passband Return Loss:** 2496–2692 MHz -10.0 dB
- Rejection:** 0.1 – 1796 MHz -40.0 dB
- Rejection 2:** 2396 MHz -24.0 dB
- Rejection 3:** 2792 MHz -24.0 dB
- Rejection 4:** 3390 – 4000 MHz -34.0 dB
- Rejection 5:** 4001 – 5470 MHz -20.0 dB
- Power Handling:** 1 Watt max

Mechanical

- Mounting Method:** SMT
- Dimensions:** 15.50 x 5.50 x 4.30 mm

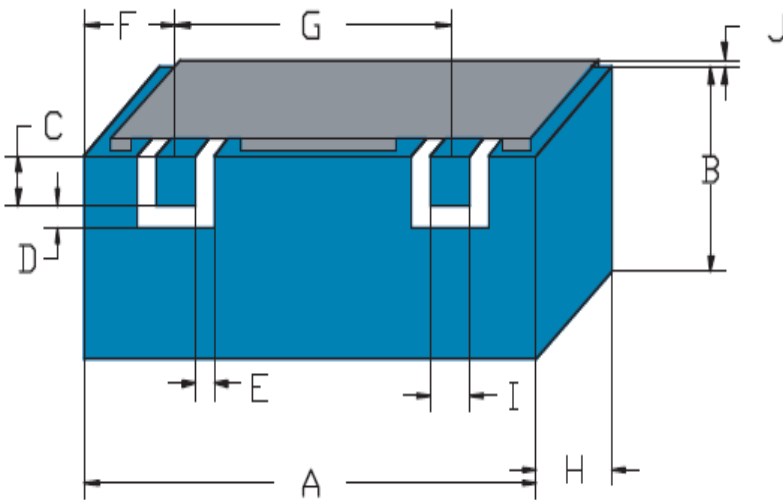
Environmental

- Operating Temperature:** -30°C to +70°C
- Storage Temperature:** -50°C to +90°C

This product is RoHs compliant.



Mechanical Drawing



Dim	Nominal (mm)	Tolerance (mm) +/- or max
A	15.50	max
B	5.50	max
C	0.90	0.13
D	0.80	0.13
E	0.90	0.13
F	2.27	0.13
G	10.97	0.13
H	4.30	max
I	0.80	0.13
J	1.00	max



ANATECH ELECTRONICS INC
RF & Microwave Filters & Products

2.594 GHz Monoblock Ceramic BPF

Part Number: AM2594B1083



Response Plot:

