



Electrical Specification:

Parameters Description	Unit	Minimum	Typical	Maximum
Center Frequency (Fo)	MHz	-	2595.0	-
Insertion Loss within 2570.0 ~ 2620.0 MHz	dB	-	1.8	2.5
Amplitude Ripple within 2570.0 ~ 2620.0 MHz	dBp-p	-	1.0	1.7
Attenuation:				
10.0 ~ 200.0 MHz	dB	30	42	-
200.0 ~ 1.570.0 MHz	dB	20	27	-
1570.0 ~ 1580.0 MHz	dB	20	27	-
1580.0 ~ 2000.0 MHz	dB	20	27	
2000.0 ~ 2300.0 MHz	dB	20	27	
2300.0 ~ 2400.0 MHz	dB	25	30	
2400.0 ~ 2485.0 MHz	dB	25	24	
2485.0 ~ 2510.0 MHz	dB	25	31	
2510.0 ~ 2555.0 MHz	dB	1.0	2.3	
2635.0 ~ 2680.0 MHz	dB	1.0	3.2	
2680.0 ~ 2705.0 MHz	dB	30	36	
2705.0 ~ 3000.0 MHz	dB	25	30	
3000.0 ~ 4000.0 MHz	dB	25	30	
4000.0 ~ 4900.0 MHz	dB	25	36	
4900.0 ~ 6000.0 MHz	dB	20	28	
VSWR within 2570.0~2620.0 MHz	dB	-	1.9	2.2



2595 MHz Saw Filter
Part Number: AM2595S1071

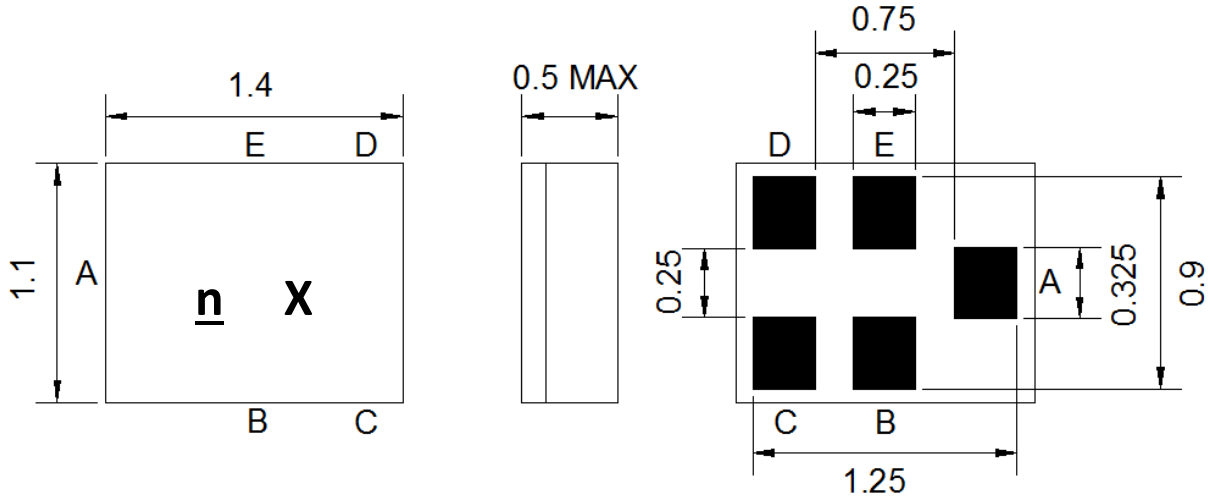


Maximum Ratings:

Parameters Description	Unit	Minimum	Typical	Maximum
Operating Temperature Range	°C	-30	-	+85
Storage Temperature Range	°C	-40	-	+85
Maximum DC Voltage	V	-	-	0
Maximum Input Power	dBm	-	-	10
Source Impedance (single ended)(1)	Ω	-	50	-
Load Impedance (single ended)(1)	Ω	-	50	-
Package type & size	C25			
Length x Width	mm ²	-	1.4 x 1.1	-
Height	mm	-	-	0.50



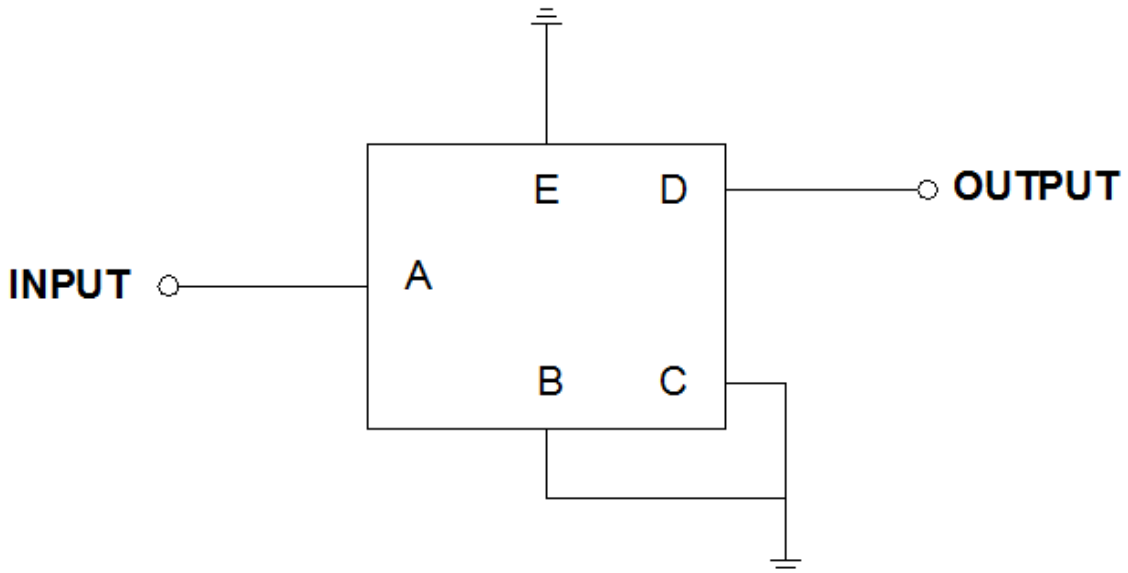
Package Dimensions:



Marking Descriptions	
n	Series Number
X	Date Code(Year+ Month)

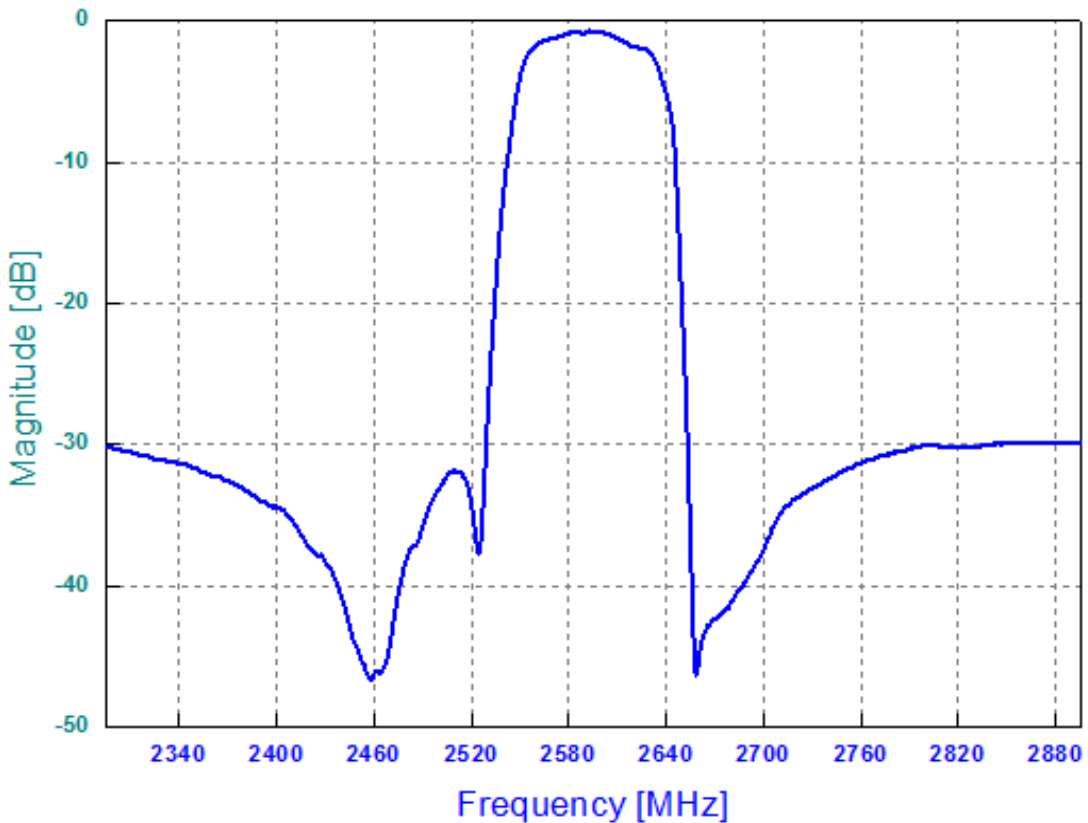
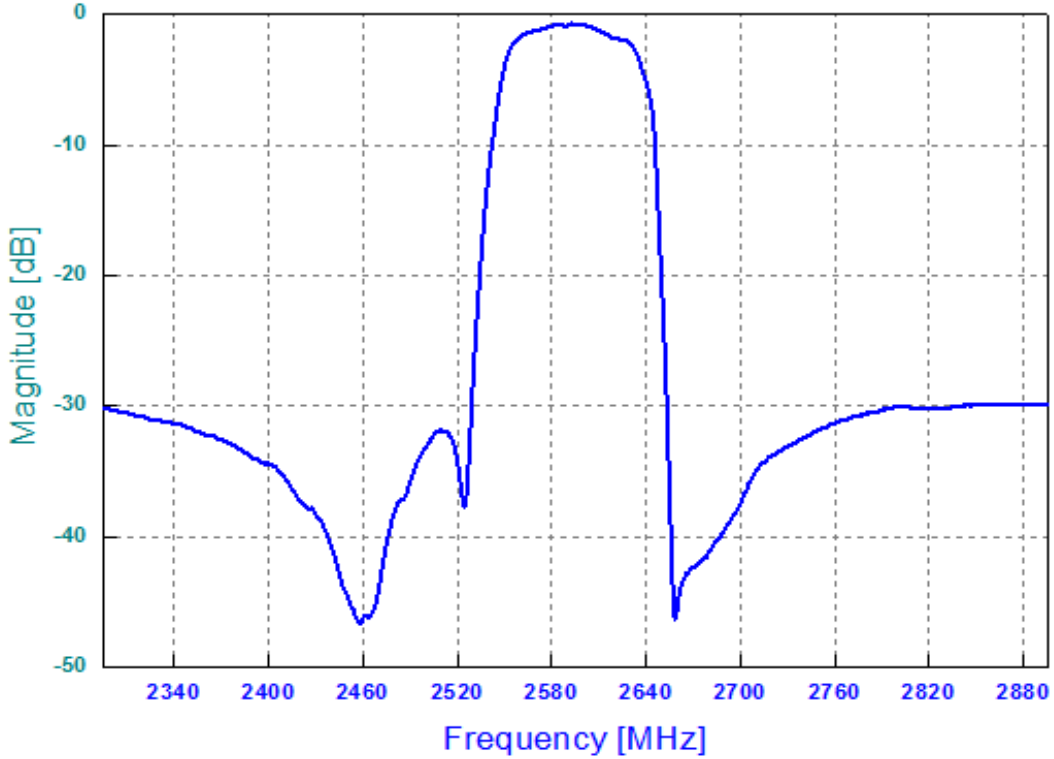
Pin Description	
B,C,E	Ground
A	In or out
D	Out or in

Test Environment:



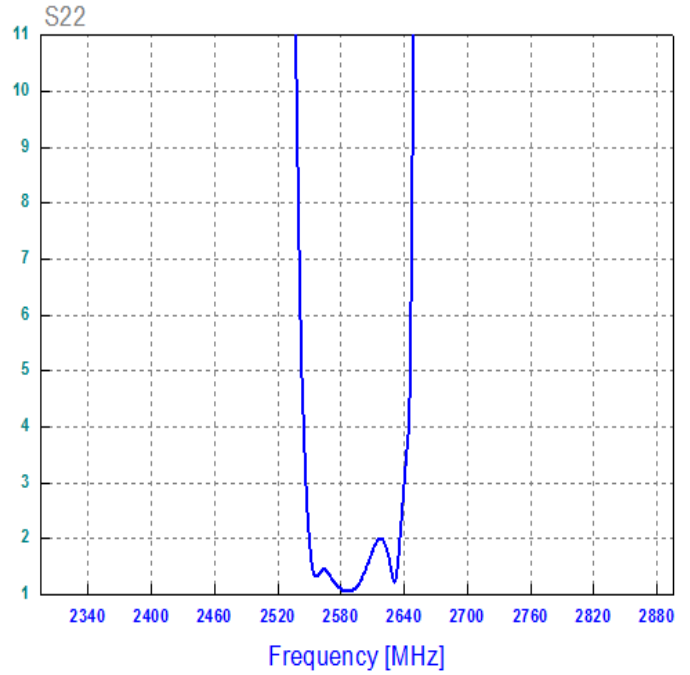
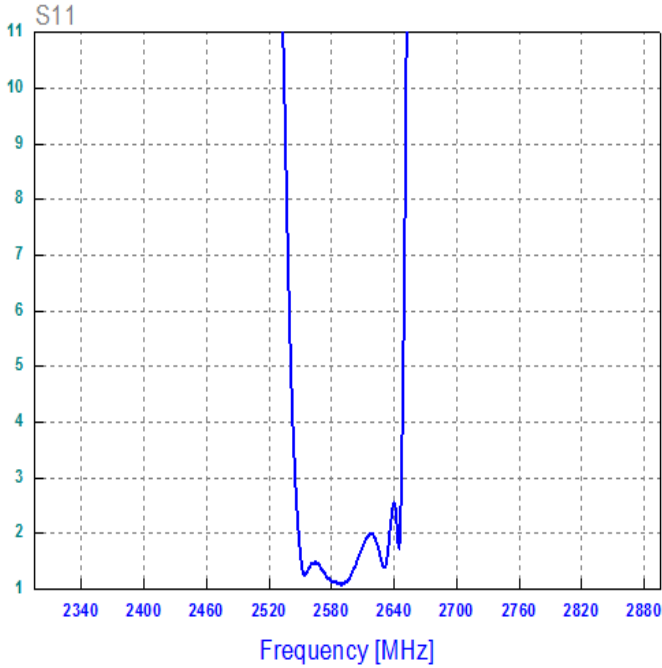


Frequency Response:





VSWR:



Smith Chart:

