



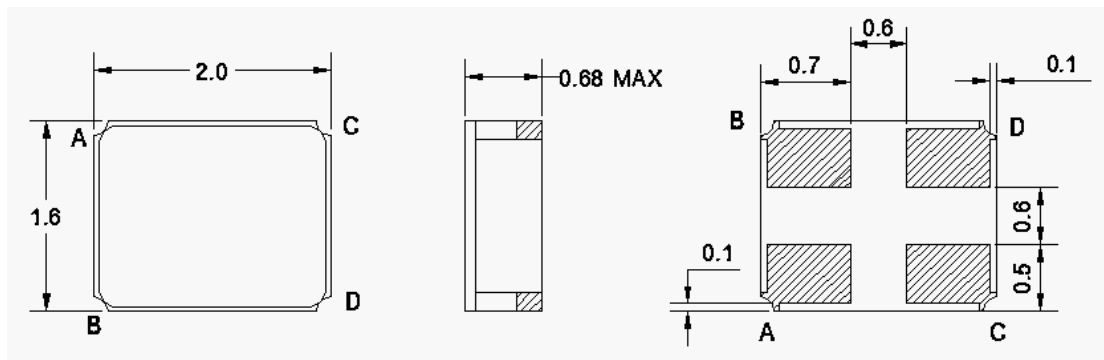
2642 MHz Saw Filter

P/N: AM2642S195

Electrical Specifications:

	Typical	Minimum	Maximum
Center Frequency:	2642.5 MHz		
Insertion Loss within 2630-2655 MHz	2.6 dB		3.2 dB
Source Impedance	50 Ohm		
Load Impedance	50 Ohm		
Operating Temperature Range		-30°C	+80°C
Amplitude Ripple within 2630-2655 MHz	0.5 dB p-p		1.5 dB p-p
Attenuation:			
D.C- 2400 MHz	23 dB	20 dB	
2400- 2500 MHz	40 dB	35 dB	
2750-3500 MHz	39 dB	35 dB	
3500-6000 MHz	20 dB	15 dB	
VSWR within 2630-2655 MHz	2.1		2.5
Maximum DC Voltage			0.2 V
Maximum Input Power			0 dBm
Package Type & Size	J		
Length x Width	2.0 x 1.6 mm ²		
Height:	0.68 mm		

Package Drawing:



PIN Descriptions: IN - B, OUT - C, GROUND - A,D