



ANATECH ELECTRONICS, INC.

Manufacturer of RF & Microwave Filters and Products



3.5 GHz Monoblock Ceramic BPF

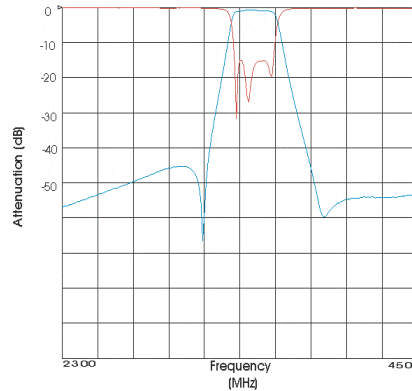
P/N: AM3500B1094



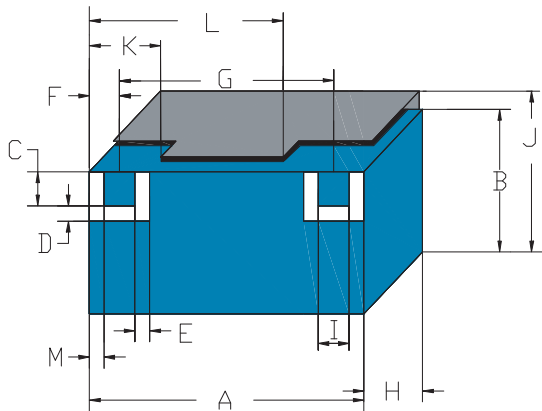
Electrical Specifications

Parameter	Frequency MHz	Typical @ 25°C	Specification @ 25°C	Spec over -40°C to +85°C
Passband Iloss	3380 - 3620	-1.20	-1.70	-2.00
Passband Ripple	3380 - 3620	0.30	0.80	0.80
Passband Return Loss @ Port 1	3380 - 3620	-13.50	-10.00	-10.00
Passband Return Loss @ Port 2	3380 - 3620	-13.50	-10.00	-10.00
Attenuation	0.1 - 3200	-34.00	-30.00	-30.00
	3800 - 6000	-34.00	-30.00	-30.00
Power into any port		2 Watt max		

Electrical response



Mechanical Drawing



Dim	Nominal (mm)	Tolerance (mm) +/- or max
A	10.20	Max
B	5.20	Max
C	1.60	0.13
D	0.80	0.13
E	0.80	0.13
F	1.20	0.13
G	7.80	0.13
H	4.00	Max
I	1.40	0.13
J	6.20	Max
K	2.70	0.13
L	7.50	0.13
M	0.50	0.13