



# 3665 MHz Ceramic Bandpass Filter for WLL

**ANATECH ELECTRONICS INC**  
RF & Microwave Filters & Products

**Part Number: AM3665B124**



## Electrical specifications

**Center Frequency:** 3665 MHz  
**Bandwidth:** +/- 65.0 MHz  
**VSWR:** 1.45  
**Input / Output Impedance:** 50 Ohms  
**Passband:** 3600-3730 MHz  
**Passband Insertion Loss:** 1.17 dB  
**Passband Ripple:** 0.41 dB  
**Rejection:** 2000-3100 MHz 30 dB min  
**Rejection 2:** 3200-3400 MHz 26 dB min  
**Rejection 3:** 4100-4600 MHz 30 dB min  
**Power Handling:** 1 W

## Mechanical

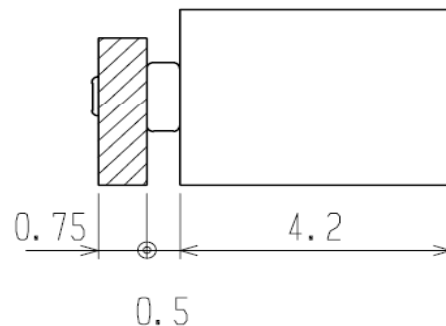
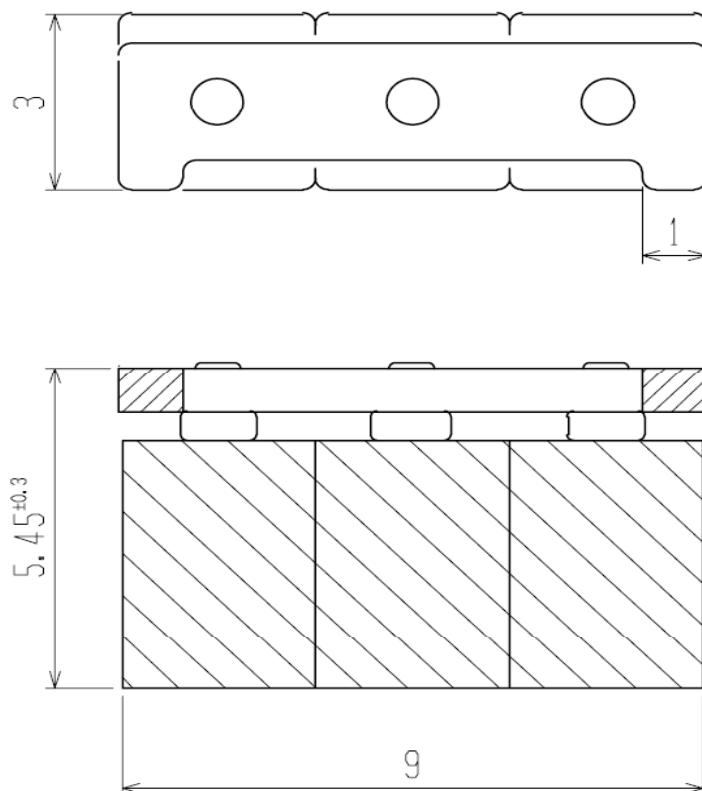
**Mounting Method:** SMT  
**Dimensions:** 9 x 5.45 x 3 mm

## Environmental

**Operating Temperature:** -40°C to +85°C  
**Storage Temperature:** -50°C to +90°C

**This product is RoHs compliant.**

## Outline Drawing:



Units: mm

: I/O

: GND

Tolerance ±0.2mm

## Outside dimensions



# 3665 MHz Ceramic Bandpass Filter for WLL

**ANATECH ELECTRONICS INC**  
RF & Microwave Filters & Products

**Part Number: AM3665B124**



## Response Plot:

