

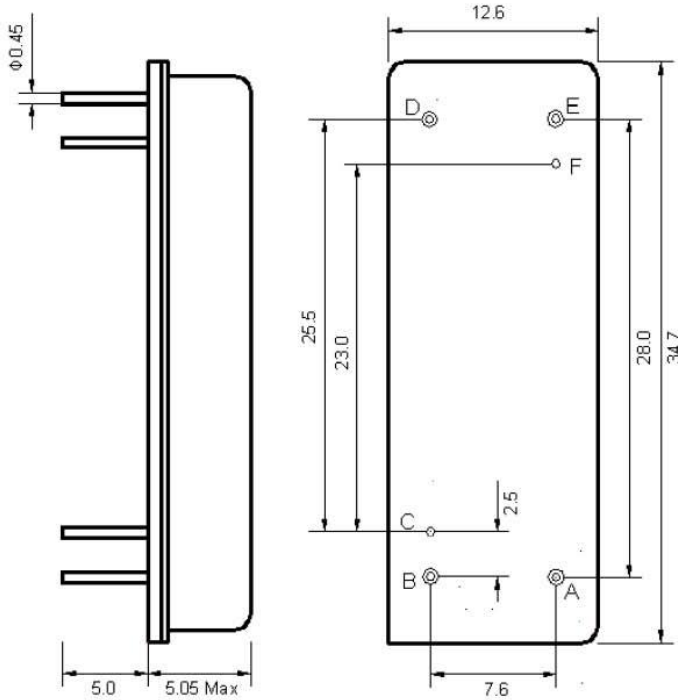


Parameters Description	Unit	Minimum	Typical	Maximum
Center Frequency (Fo)	MHz	-	43.75	-
Insertion Loss at Fo	dB	-	24.0	26.0
Group Delay Variation at 41.25 to 45.75 MHz	nsec	-	80	120
Absolute Delay at Fo	µsec	-	4.15	-
Temperature Coefficient	ppm/°C	-	-94	-
Amplitude Ripple Variation at 41.25 to 45.75 MHz	dBp-p	-	0.5	0.8
Bandwidth at -1.0 dB	MHz	5.20	5.33	-
Bandwidth at -3.0 dB	MHz	-	5.54	-
Bandwidth at -40.0 dB	MHz	-	6.32	6.50
Ultimate Rejection	dB	50	55	-
Relative Attenuation:				
39.75 MHz	dB	50	55	-
47.25 MHz	dB	50	55	-

Parameters Description	Unit	Minimum	Typical	Maximum
Operation Temperature Range	°C	-30	-	+80
Storage Temperature Range	°C	-40	-	+85
Maximum DC Voltage	V	-	-	10
Maximum Input Power	dBm	-	-	10
Source Impedance (Single Ended) ₁	Ω	-	50	-
Load Impedance (Single Ended) ₁	Ω	-	50	-
Package Size and Type	34.7 x 12.6 x 5.05 mm F			

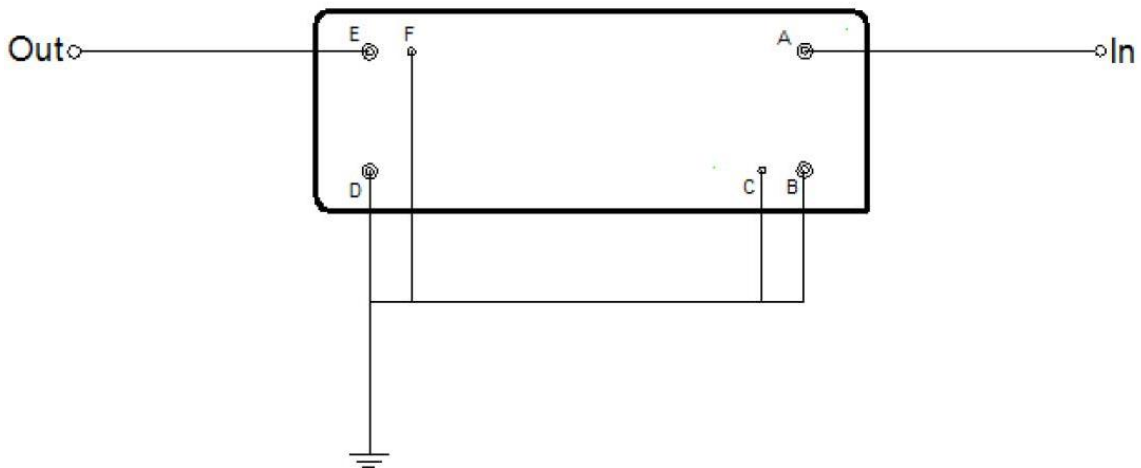


Outline Drawing:



Pin Description	
B, C, D, F	Ground
A	Input
E	Output

Testing Environment:



Source & Load Impedance: 50 Ω



43 MHz IF Saw Filter 5 MHz Bandwidth

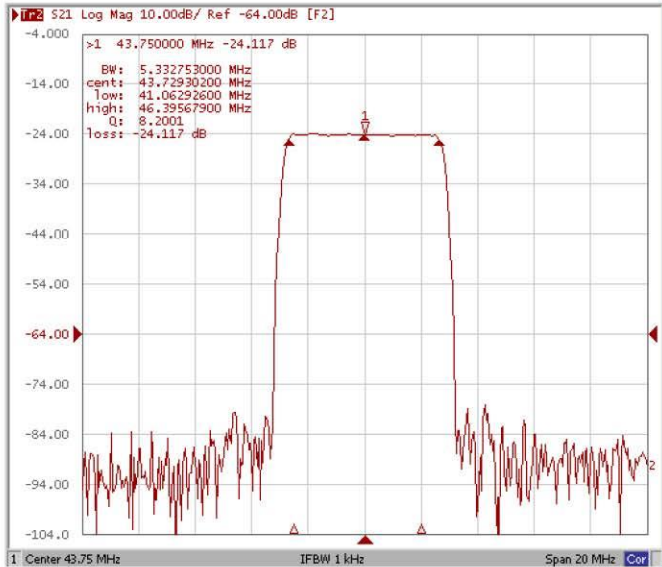
Part Number: AM43S742



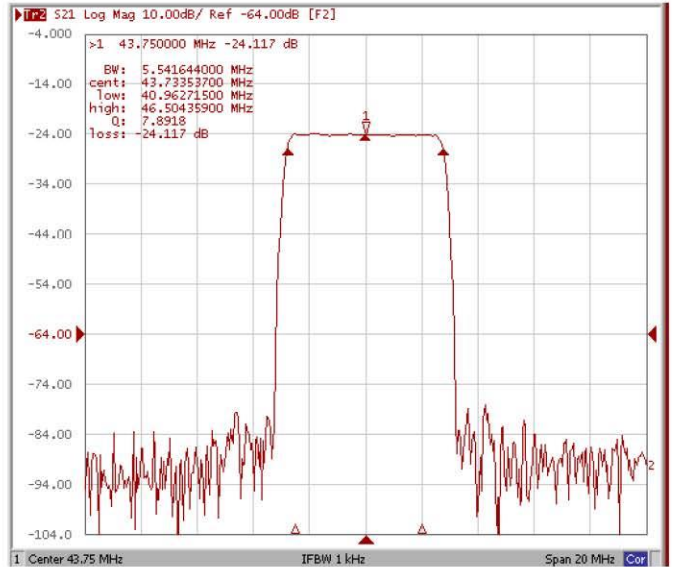
ANATECH ELECTRONICS INC
RF & Microwave Filters & Products

Frequency Response:

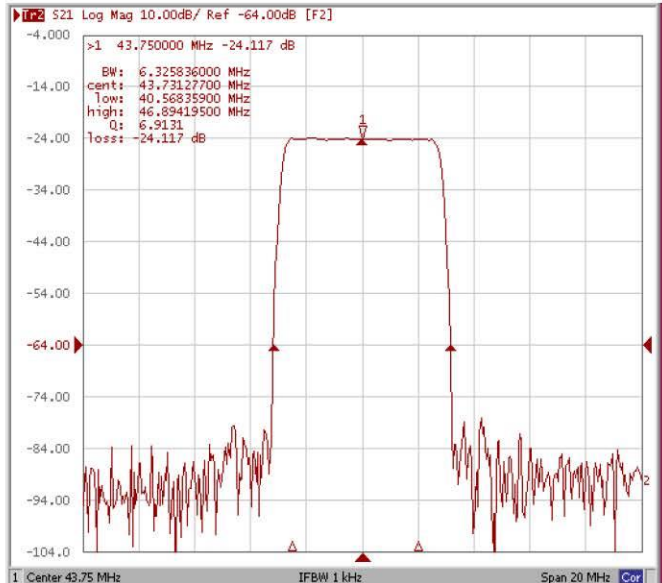
Bandwidth at -1.0 dB



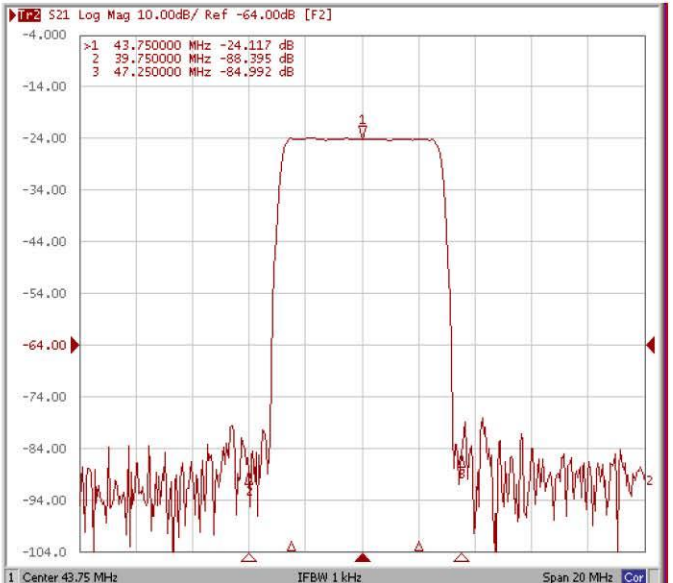
Bandwidth at -3.0 dB



Bandwidth at -40.0 dB



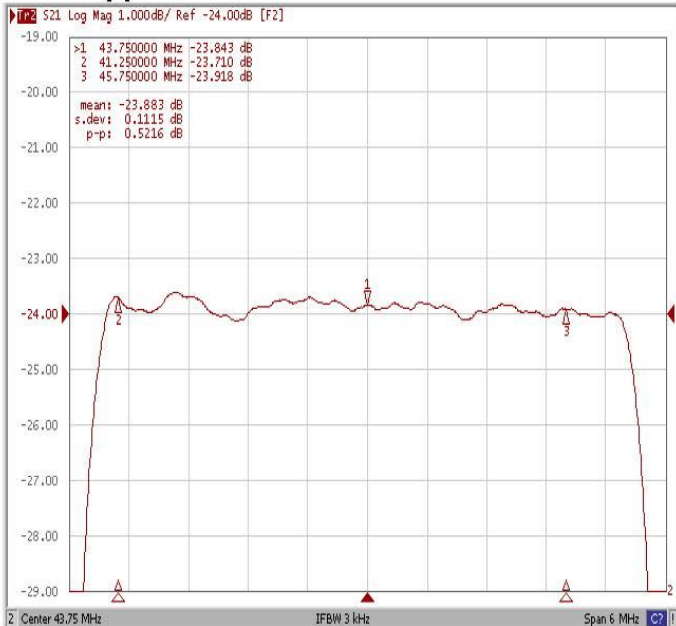
Attenuation 39.75 / 47.25MHz



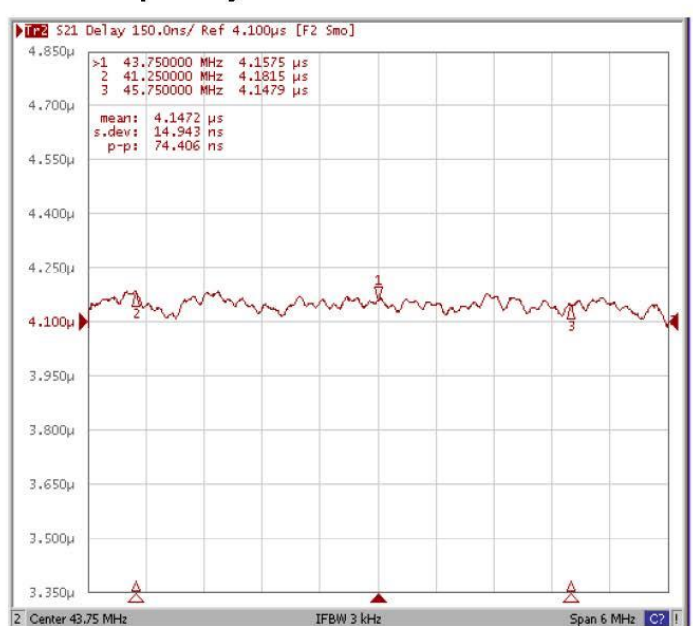


Frequency Response:

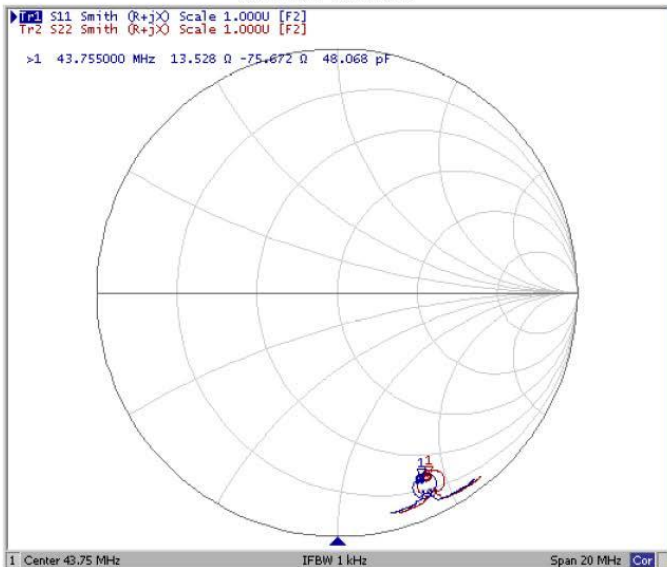
Ripple Variation at 41.25 ~ 45.75 MHz



Group Delay Variation at 41.25 ~ 45.75MHz



Smith Chart



SWR

