



# 44 MHz IF Saw Filter 5 MHz Bandwidth

## Part Number: AM44S745

**ANATECH ELECTRONICS INC**  
RF & Microwave Filters & Products

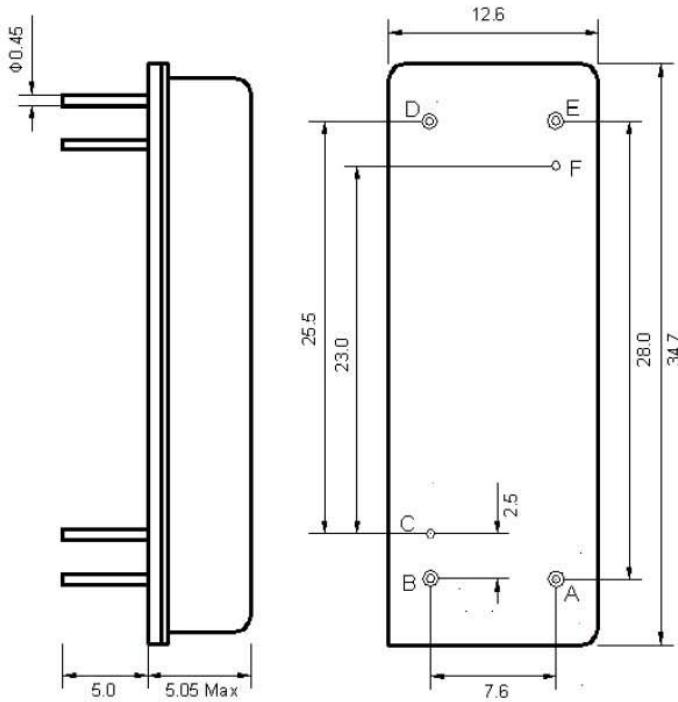


Parameters Description	Unit	Minimum	Typical	Maximum
Center Frequency (Fo)	MHz	43.95	44.0	44.05
Insertion Loss at Fo	dB	-	24.5	26.5
Group Delay Variation at Fo ± 2.69 MHz	nsec	-	100	150
Absolute Delay at Fo	µsec	-	4.07	-
Temperature Coefficient	ppm/°C	-	-94	-
Amplitude Ripple Variation at Fo ± 2.69 MHz	dBp-p	-	0.6	0.8
Bandwidth at -1.0 dB	MHz	5.40	5.60	-
Bandwidth at -3.0 dB	MHz	-	5.75	-
Bandwidth at -40.0 dB	MHz	-	6.44	6.7
Ultimate Rejection	dB	50	55	-
<b>Relative Attenuation:</b>				
39.75 MHz	dB	50	55	-
47.25 MHz	dB	50	55	-

Parameters Description	Unit	Minimum	Typical	Maximum
Operation Temperature Range	°C	-30	-	+80
Storage Temperature Range	°C	-40	-	+85
Maximum DC Voltage	V	-	-	10
Maximum Input Power	dBm	-	-	10
Source Impedance (Single Ended) <sub>1</sub>	Ω	-	50	-
Load Impedance (Single Ended) <sub>1</sub>	Ω	-	50	-
Package Size and Type	34.7 x 12.6 x 5.05 mm		F	

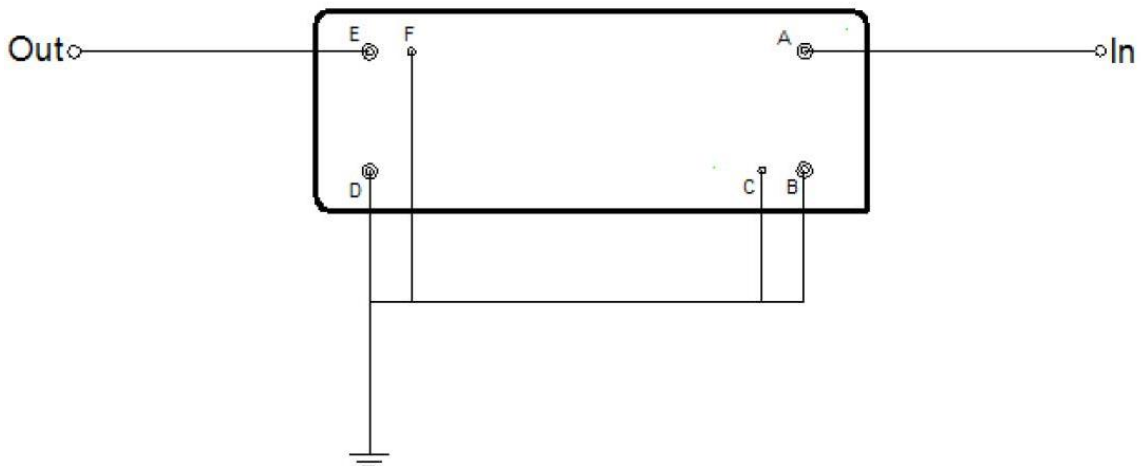


**Outline Drawing:**



Pin Description	
B, C, D, F	Ground
A	Input
E	Output

**Testing Environment:**

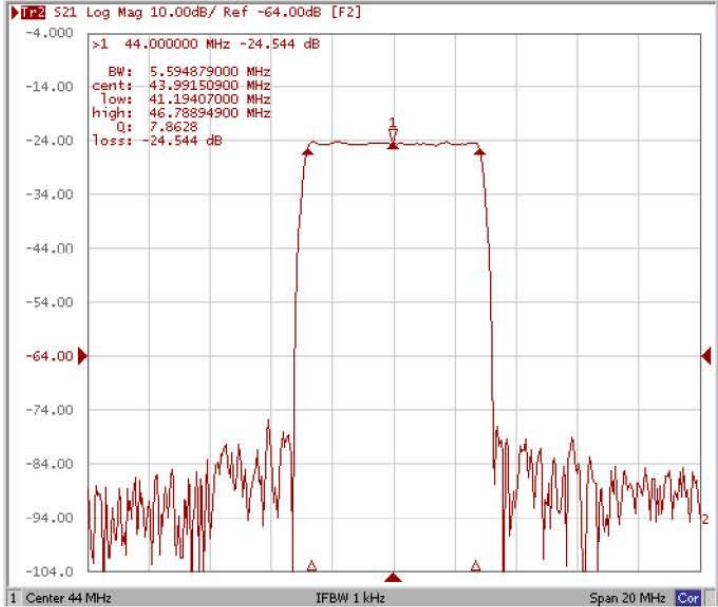


Source & Load Impedance: 50  $\Omega$

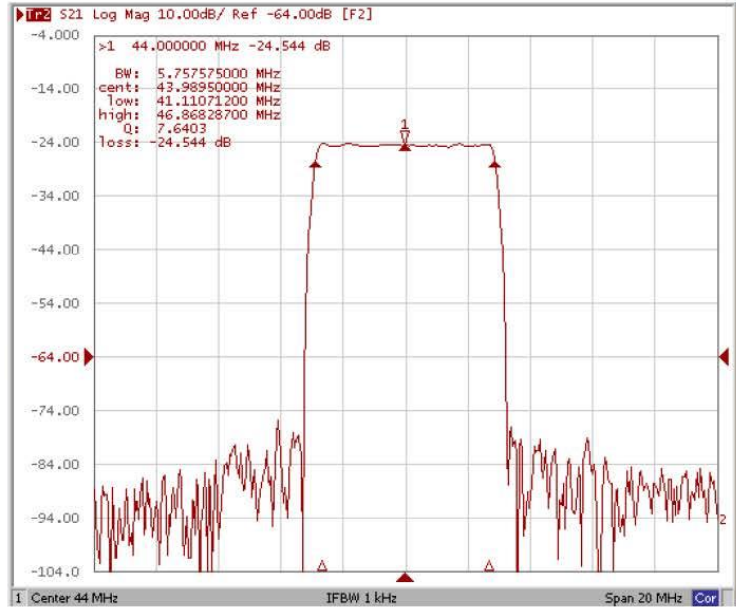


### Frequency Response:

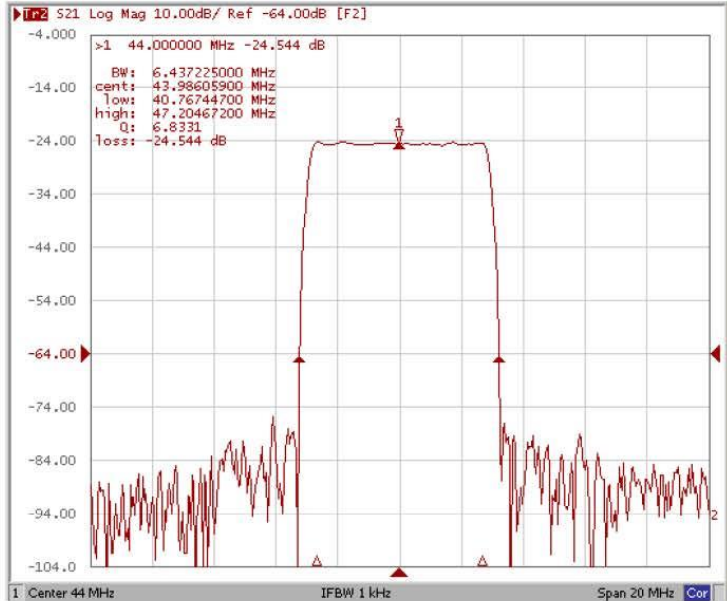
**Bandwidth at -1.0 dB**



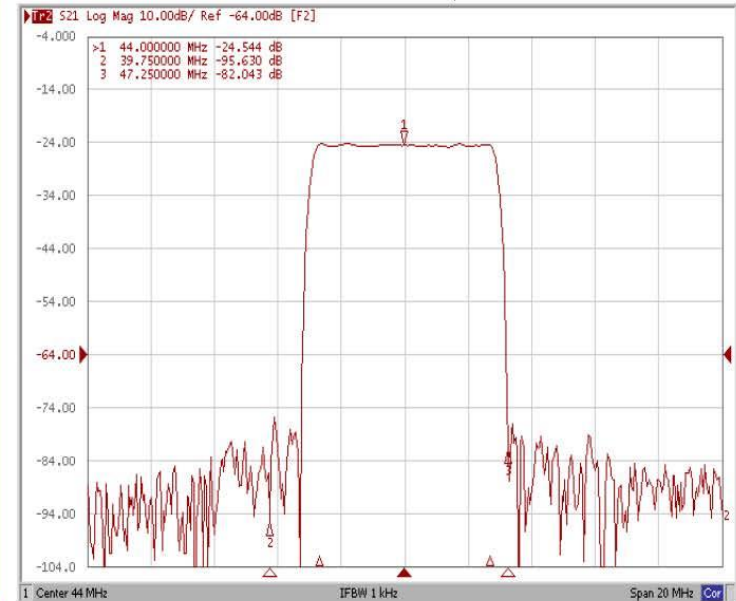
**Bandwidth at -3.0 dB**



**Bandwidth at -40.0 dB**



**Attenuation 39.75, 42.74 MHz**





# 44 MHz IF Saw Filter 5 MHz Bandwidth

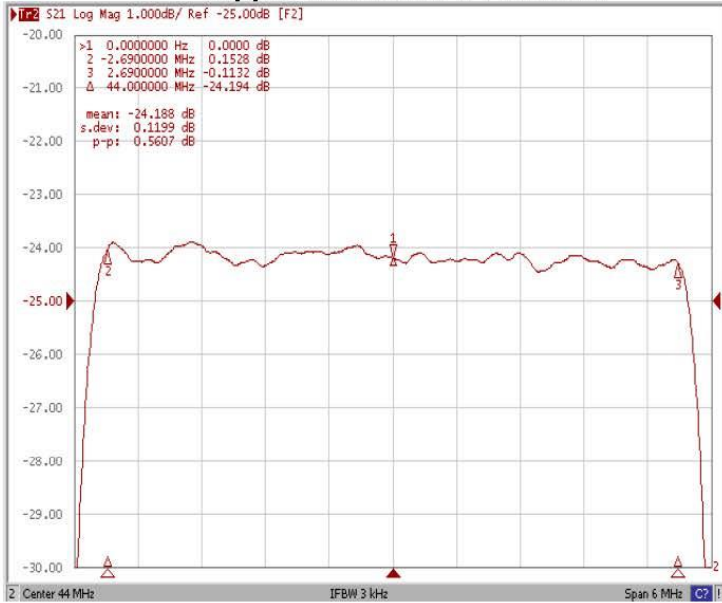
## Part Number: AM44S745



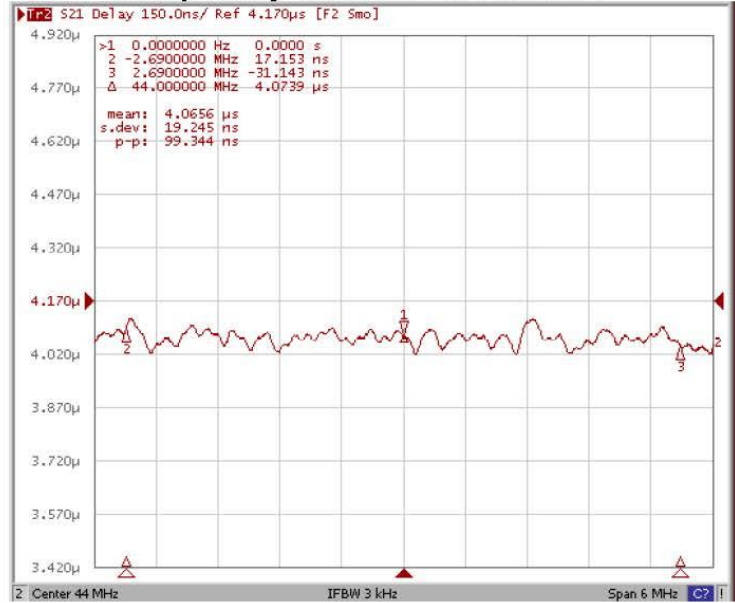
**ANATECH ELECTRONICS INC**  
RF & Microwave Filters & Products

### Frequency Response:

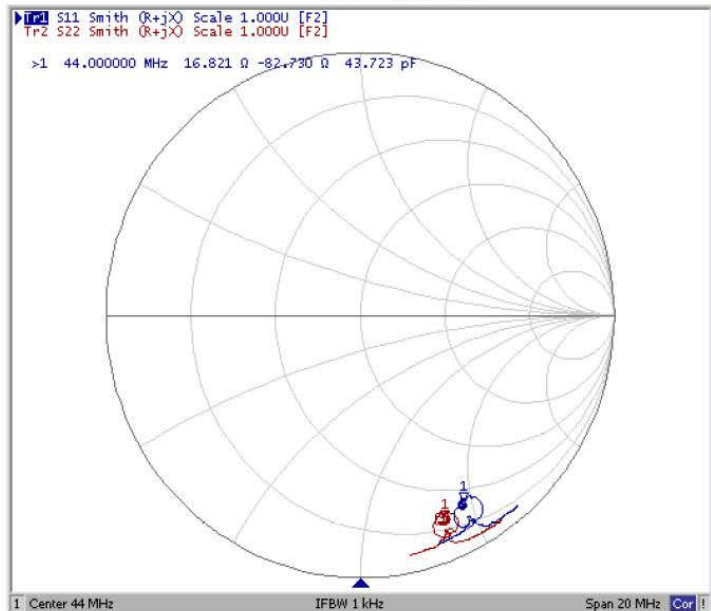
#### Ripple Variation Fo±2.69MHz



#### Group Delay Variation Fo±2.69MHz



#### Smith Chart



#### SWR

