



44 MHz IF Saw Filter

Part Number: AM44S764



Parameters Description	Unit	Minimum	Typical	Maximum
Center Frequency (Fo)	MHz	43.95	44.0	44.05
Insertion Loss at Fo	dB	-	24.5	25.5
Group Delay Variation	nsec	-	65	100
Absolute Delay at Fo	µsec	-	4.07	-
Temperature Coefficient	ppm/°C	-	-94	-
Amplitude Ripple Variation	dBp-p	-	0.5	0.8
Bandwidth at -1.0 dB	MHz	5.4	5.5	-
Bandwidth at -3.0 dB	MHz	5.6	5.68	-
Bandwidth at -40.0 dB	MHz	-	6.45	6.6
Ultimate Rejection	dB	45	50	-

Parameters Description	Unit	Minimum	Typical	Maximum
Operation Temperature Range	°C	-30	-	+80
Storage Temperature Range	°C	-40	-	+85
Maximum DC Voltage	V	-	-	10
Maximum Input Power	dBm	-	-	10
Source Impedance (Single Ended) ₁	Ω	-	50	-
Load Impedance (Single Ended) ₁	Ω	-	50	-
Package Size and Type	34.7 x 12.6 x 5.05 mm		F	

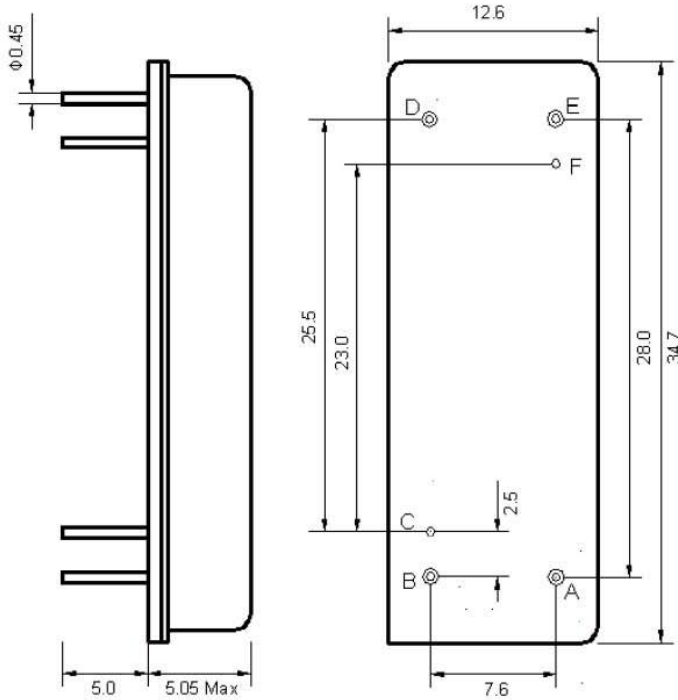


44 MHz IF Saw Filter

Part Number: AM44S764

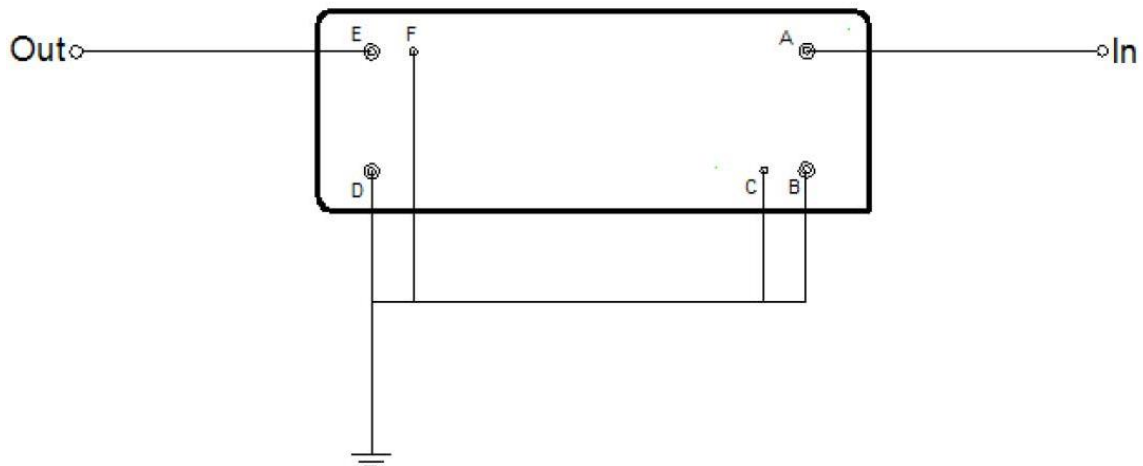


Outline Drawing:



Pin Description	
B, C, D, F	Ground
A	Input
E	Output

Testing Environment:



Source & Load Impedance: 50 Ω



Frequency Response:

