



55.20 MHz IF Saw Filter

Part Number: AM55S766

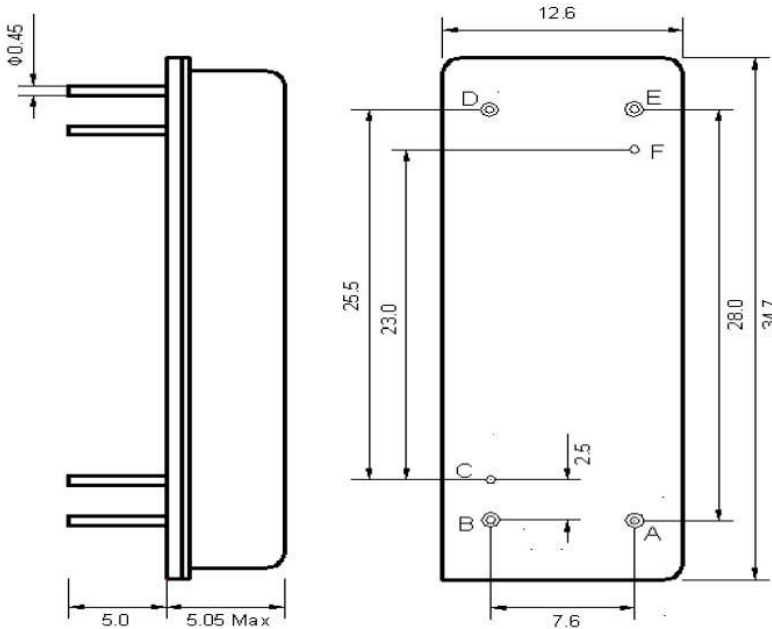


Parameters Description	Unit	Minimum	Typical	Maximum
Center Frequency (Fo)	MHz	55.12	55.20	55.28
Insertion Loss at Fo	dB	-	23.8	25.0
Amplitude Ripple Variation	dBp-p	-	0.6	1.0
Group Delay Variation	nsec	-	75	150
Absolute Delay at Fo	µsec	-	4.7	-
Bandwidth at -1.0 dB	MHz	-	4.06	-
Bandwidth at -3.0 dB	MHz	4.20	4.27	-
Bandwidth at -40.0 dB	MHz	-	5.18	5.30
Ultimate Rejection	dB	50	55	-
Temperature Coefficient	ppm/°C	-	-20	-

Parameters Description	Unit	Minimum	Typical	Maximum
Operation Temperature Range	°C	-30	-	+80
Storage Temperature Range	°C	-40	-	+85
Maximum DC Voltage	V	-	-	10
Maximum Input Power	dBm	-	-	10
Source Impedance (Single Ended) ₁	Ω	-	50	-
Load Impedance (Single Ended) ₁	Ω	-	50	-
Package Size and Type	34.7 x 12.6 x 5.05 mm		F	

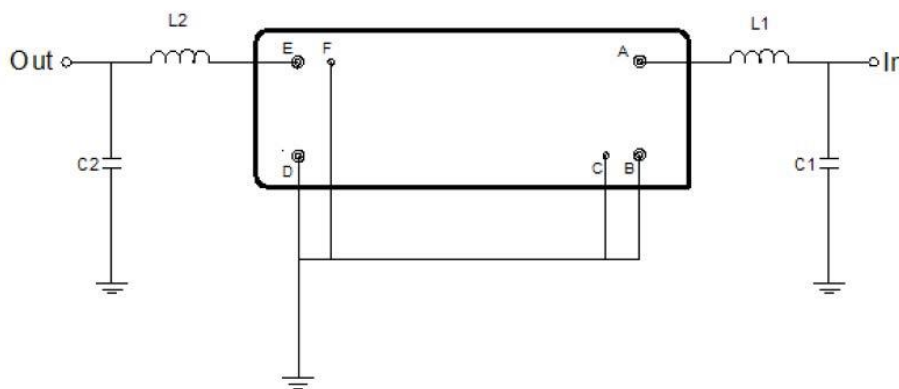


Outline Drawing:



Pin Description	
B C D F	Ground
A	Input
E	Output

Testing Environment:



Test Fixture & Values	
Input	L1=220nH, C1=56pF
Output	L2=220nH, C2=56pF
Source/Load Impedance	50 Ω

