



**60 MHz IF Saw Filter**  
**Part Number: AM60S242**



Parameters Description	Unit	Minimum	Typical	Maximum
Center Frequency (Fo)	MHz	59.92	60.0	60.08
Insertion Loss at Fo	dB	-	22.50	24.0
Passband Ripple Variation	dB	-	0.45	1.00
Group Delay Variation	nsec	-	80	150
Absolute Delay at Fo	µsec	-	2.40	-
Bandwidth at 3.0 dB	MHz	6.90	7.05	-
Bandwidth at 40.0 dB	MHz	-	8.35	8.50
Ultimate Rejection	dB	50	60	-
Substrate Material	YZ-LiNbO <sub>3</sub>			

Parameters Description	Unit	Minimum	Typical	Maximum
Operation Temperature Range	°C	-	+25	-
Storage Temperature Range	°C	-	+25	-
Maximum DC Voltage	V	-	-	10
Maximum Input Power	dBm	-	-	10
Source Impedance (Single Ended) <sub>1</sub>	Ω	-	50	-
Load Impedance (Single Ended) <sub>1</sub>	Ω	-	50	-
Package Size	mm	20 x 12.6 x 4.6		

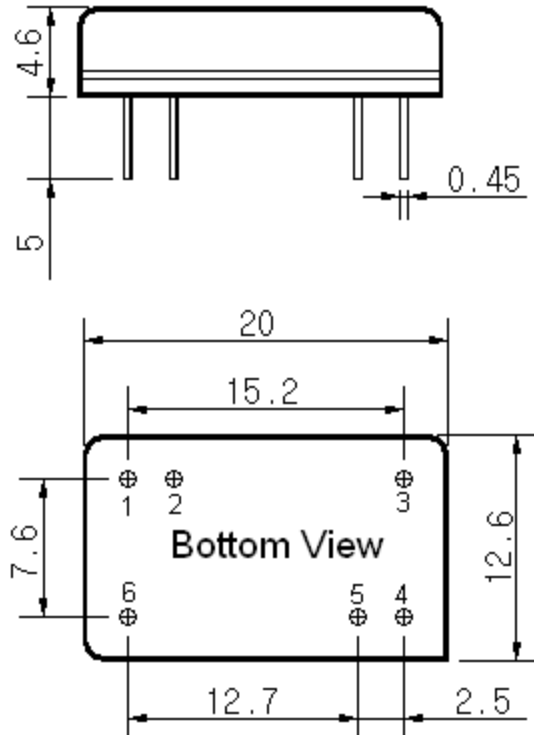


# 60 MHz IF Saw Filter

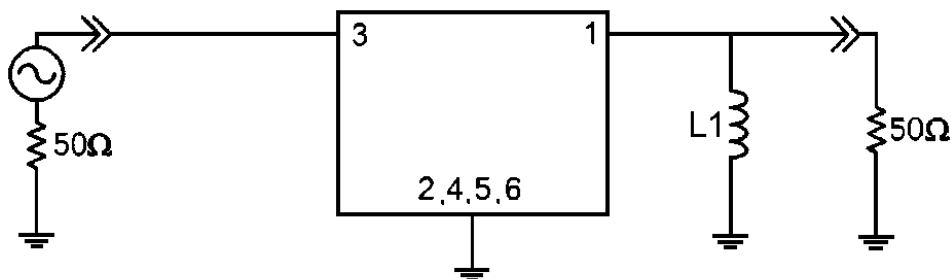
Part Number: AM60S242



### Outline Drawing:



### Matching Configuration:



50Ω Single-ended

L1 = 330nH



**Frequency Response:**

