



61 MHz IF Saw Filter 10 MHz Bandwidth

Part Number: AM61S750

ANATECH ELECTRONICS INC
RF & Microwave Filters & Products



Parameters Description	Unit	Minimum	Typical	Maximum
Center Frequency (Fo)	MHz	-	61.0	-
Insertion Loss at Fo	dB	-	20.90	23.0
Group Delay Variation at Fo ± 4.89 MHz	nsec	-	47	90
Phase Linearity at Fo ± 4.89 MHz	Deg	-	9	13
Absolute Delay Time at Fo	µsec	-	3.7	4.0
Temperature Coefficient	ppm/°C	-	72	-
Amplitude Ripple at Fo ± 4.89 MHz	dB	-	0.6	1.0
Bandwidth at -1.0 dB	MHz	9.78	9.99	-
Bandwidth at -45.0 dB	MHz	-	11.10	11.25
Input/Output Return Loss	dB	-	2.3	-
Triple Transit Attenuation	dB	35	-	-
Relative Attenuation				
10.0 to 50.0 MHz	dB	40	60	-
At 55.54 MHz	dB	18	26	-
At 55.64 MHz	dB	10	16	-
At 66.36 MHz	dB	10	16	-
At 66.46 MHz	dB	18	27	-
70.0 to 180 MHz	dB	40	55	-



ANATECH ELECTRONICS INC
RF & Microwave Filters & Products

61 MHz IF Saw Filter 10 MHz Bandwidth

Part Number: AM61S750



Parameters Description	Unit	Minimum	Typical	Maximum
Operation Temperature Range	°C	-	+45	-
Storage Temperature Range	°C	-20	-	+70
Maximum DC Voltage	V	-	-	10
Maximum Input Power	dBm	-	-	28
Source Impedance (Single Ended) ₁	Ω	-	50	-
Load Impedance (Single Ended) ₁	Ω	-	50	-
Package Size and Type	34.7 x 12.6 x 5.05 mm			F



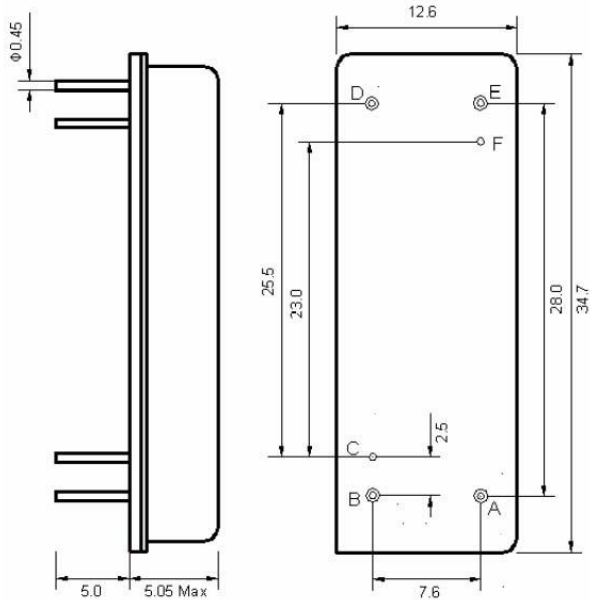
61 MHz IF Saw Filter 10 MHz Bandwidth

Part Number: AM61S750



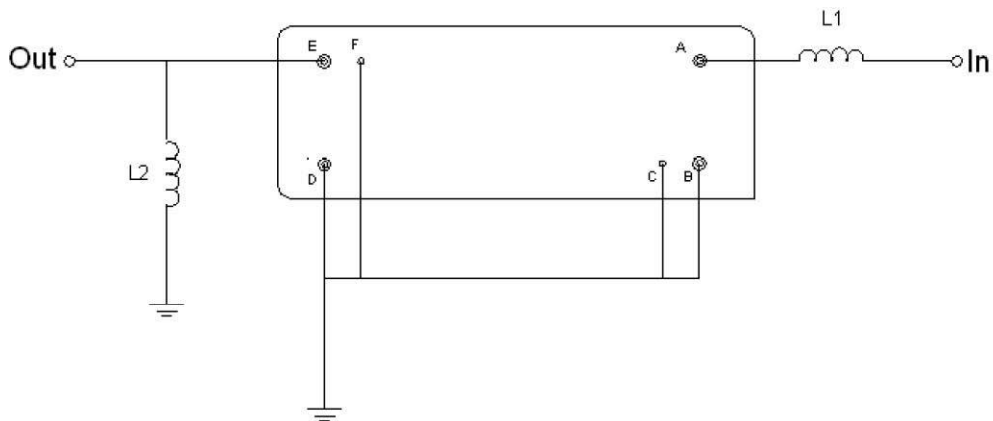
ANATECH ELECTRONICS INC
RF & Microwave Filters & Products

Outline Drawing:



Pin Description	
B C D F	Ground
A	Input
E	Output

Testing Environment:



Test Fixture & Values	
Input	L1=82 nH Q >40
Output	L2=220 nH Q >40
Source/Load Impedance	50 Ω



61 MHz IF Saw Filter 10 MHz Bandwidth

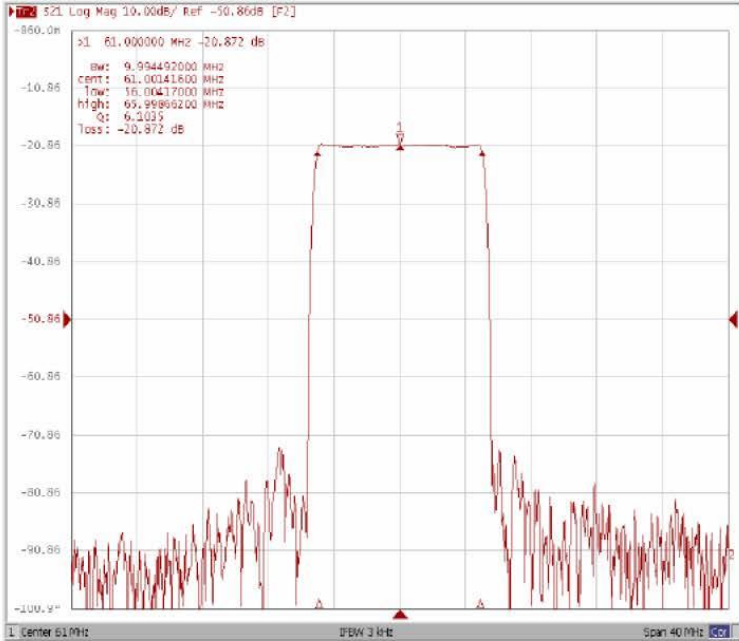
Part Number: AM61S750



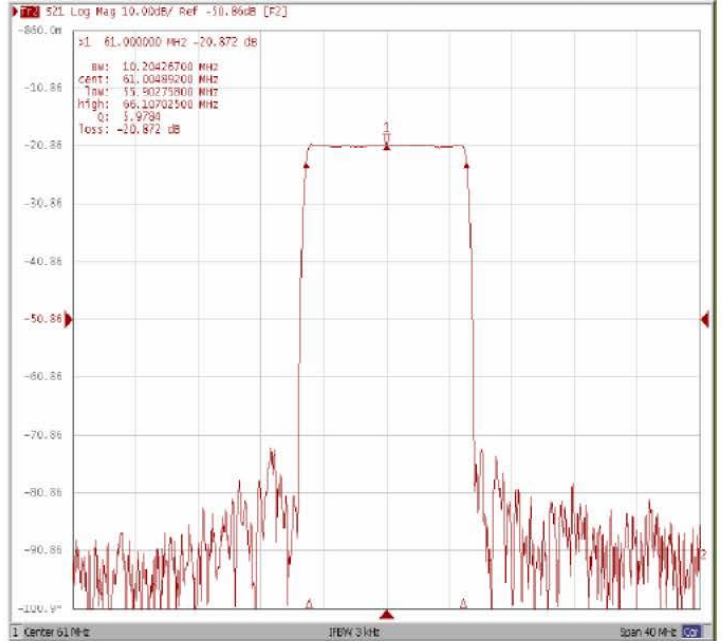
ANATECH ELECTRONICS INC
RF & Microwave Filters & Products

Frequency Response:

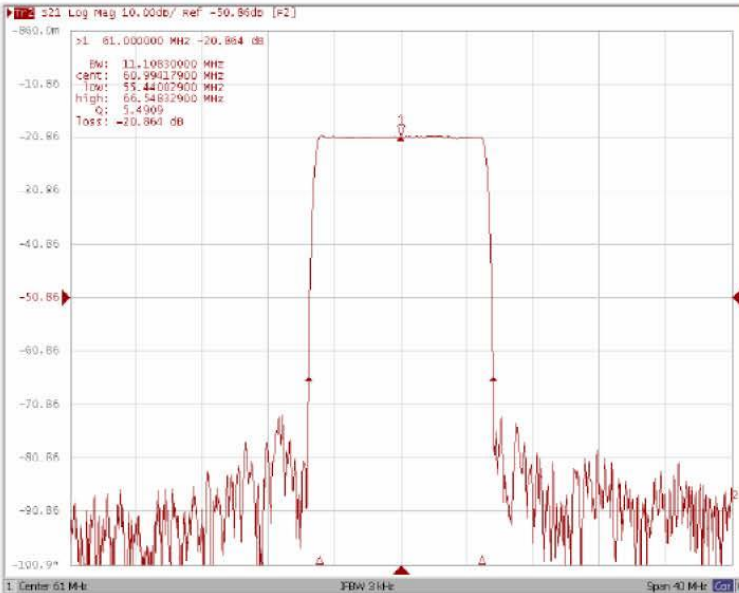
Bandwidth at -1.0 dB



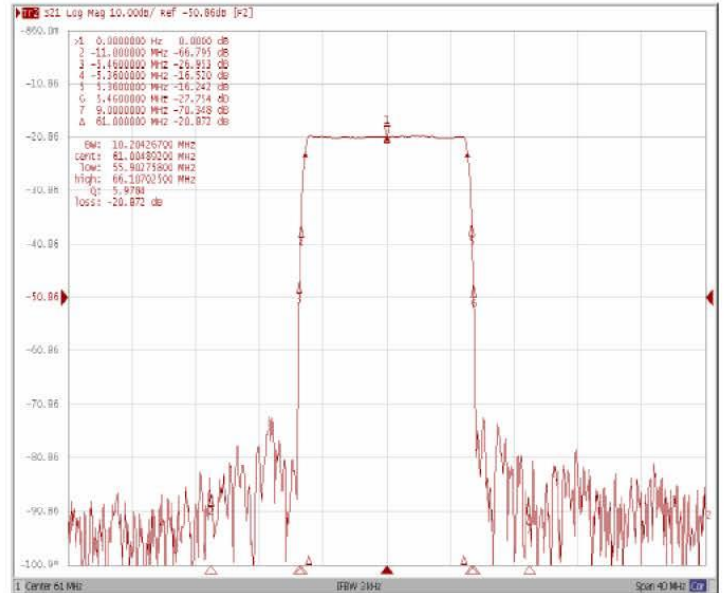
Bandwidth at -3.0 dB



Bandwidth at -45.0 dB



Relative Attenuation





61 MHz IF Saw Filter 10 MHz Bandwidth

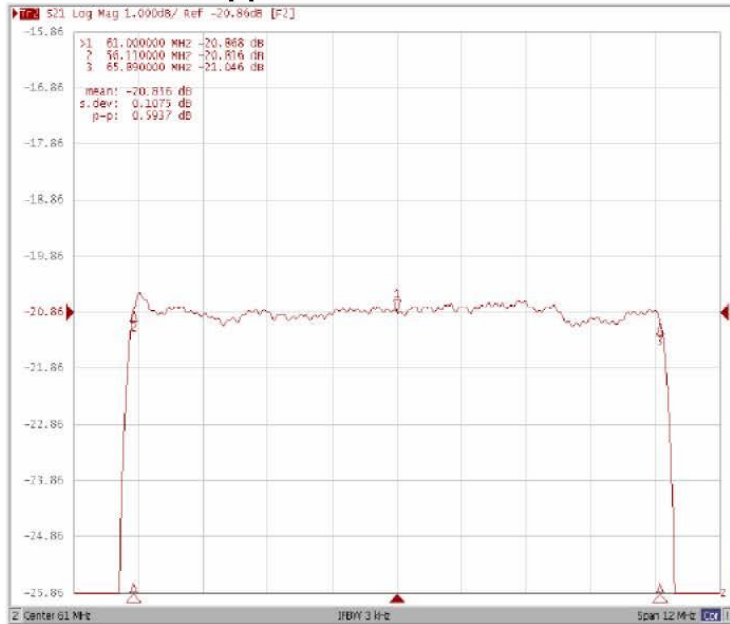
Part Number: AM61S750



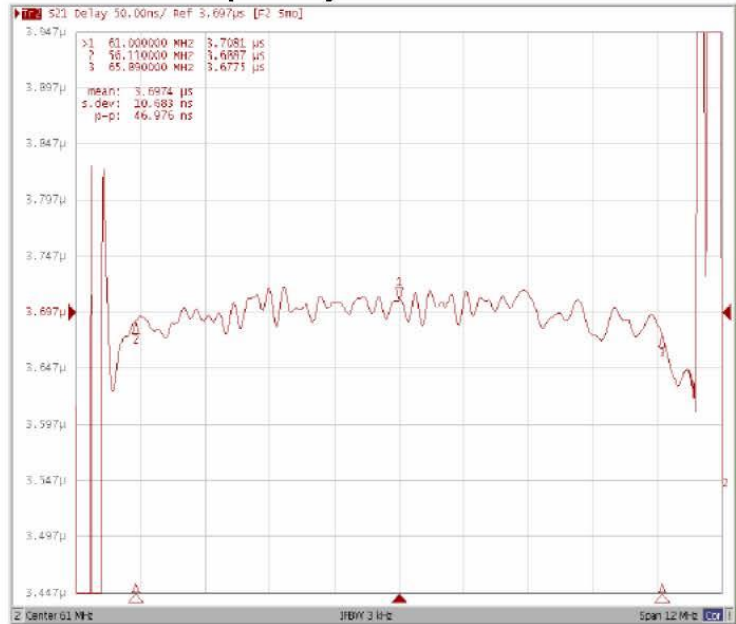
ANATECH ELECTRONICS INC
RF & Microwave Filters & Products

Frequency Response:

Ripple Variation Fo±4.89MHz



Group Delay Variation Fo±4.89MHz



Phase Linearity Fo±4.89MHz



Smith Chart

