



# 62 MHz IF Saw Filter 18 MHz Bandwidth

## Part Number: AM62S752

**ANATECH ELECTRONICS INC**  
RF & Microwave Filters & Products



Parameters Description	Unit	Minimum	Typical	Maximum
Center Frequency (Fo)	MHz	-	62.5	-
Insertion Loss at Fo	dB	-	23.7	26.0
Amplitude Ripple Variation within Fo ± 9.22 MHz	dB <sub>p-p</sub>	-	0.6	1.0
Group Delay Variation within Fo ± 9.22 MHz	nsec	-	40	90
Absolute Delay Time at Fo	µsec	-	2.91	-
Temperature Coefficient	ppm/°C	-	-72	-
Bandwidth at -1.0 dB	MHz	18.90	18.95	-
Bandwidth at -3.0 dB	MHz	-	19.17	-
Bandwidth at -40.0 dB	MHz	-	20.15	20.20
<b>Relative Attenuation:</b>				
Fo ±10.0 MHz	dB	25	27	-
Lower Sidelobe	dB	50	52	-
Upper Sidelobe	dB	50	52	-

Parameters Description	Unit	Minimum	Typical	Maximum
Operation Temperature Range	°C	-	+25	-
Storage Temperature Range	°C	-40	-	+85
Maximum DC Voltage	V	-	-	10
Maximum Input Power	dBm	-	-	10
Source Impedance (Single Ended) <sub>1</sub>	Ω	-	50	-
Load Impedance (Single Ended) <sub>1</sub>	Ω	-	50	-
Package Size and Type	34.7 x 12.6 x 5.05 mm			F



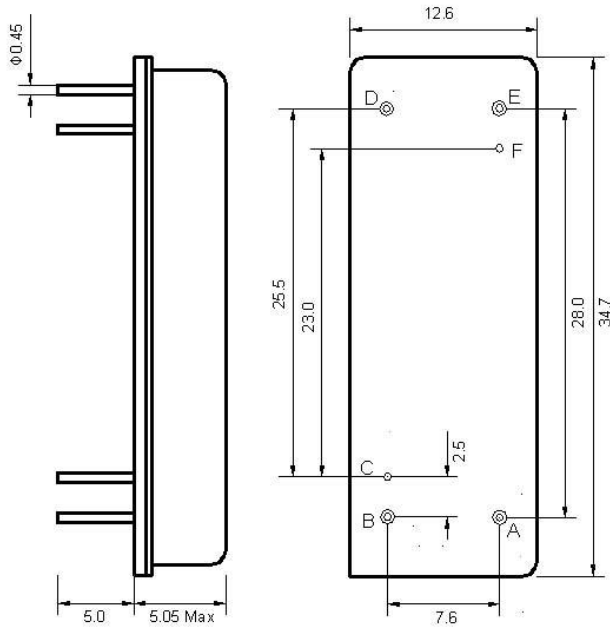
# 62 MHz IF Saw Filter 18 MHz Bandwidth

## Part Number: AM62S752



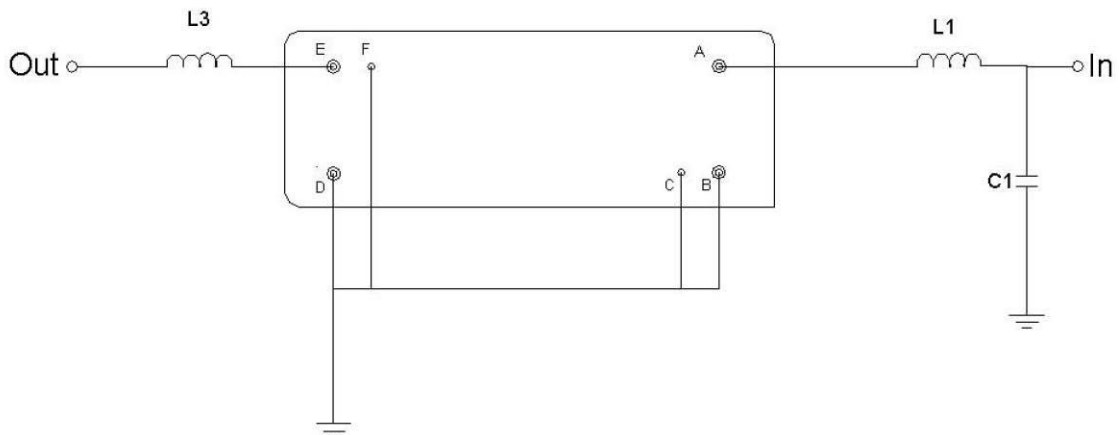
**ANATECH ELECTRONICS INC**  
RF & Microwave Filters & Products

### Outline Drawing:



Pin Description	
B C D F	Ground
A	Input
E	Output

### Testing Environment:

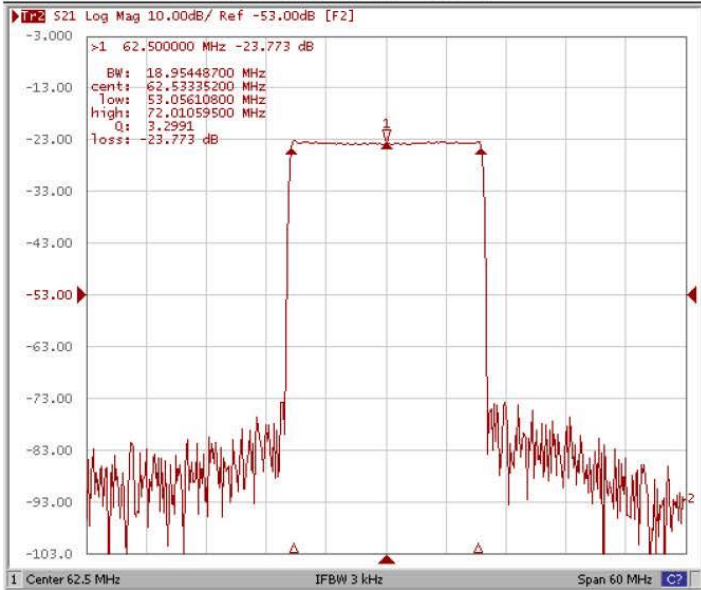


Test Fixture & Values		
Input	L1=220nH ,	C1=30pF
Output	L2=220nH ,	
Source/Load Impedance	50 Ω	

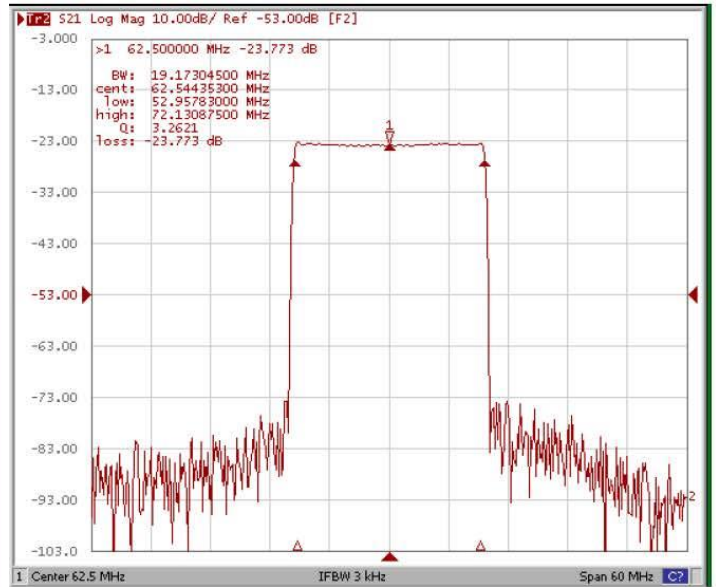


### Frequency Response:

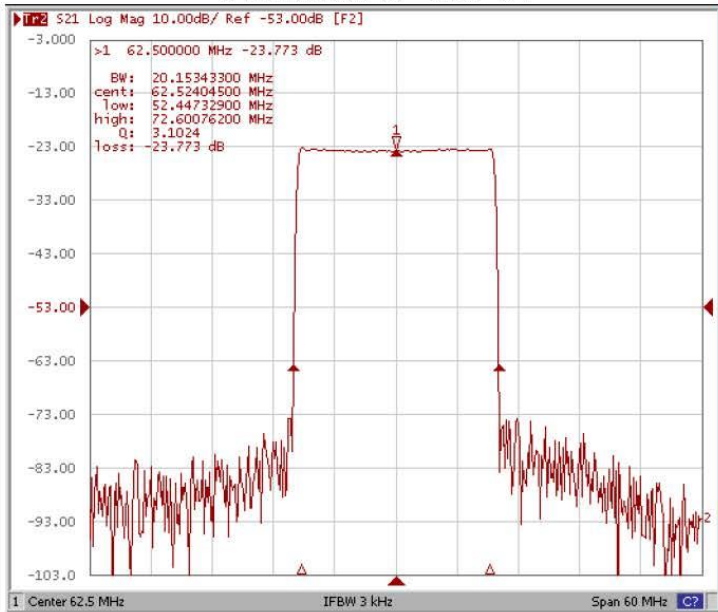
#### Bandwidth at -1.0 dB



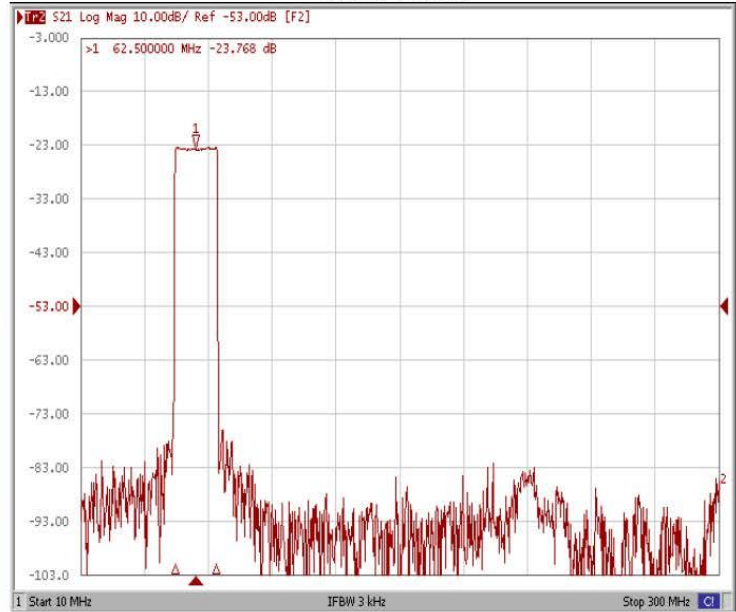
#### Bandwidth at -3.0 dB



#### Bandwidth at -40.0 dB



#### Wide-Band





# 62 MHz IF Saw Filter 18 MHz Bandwidth

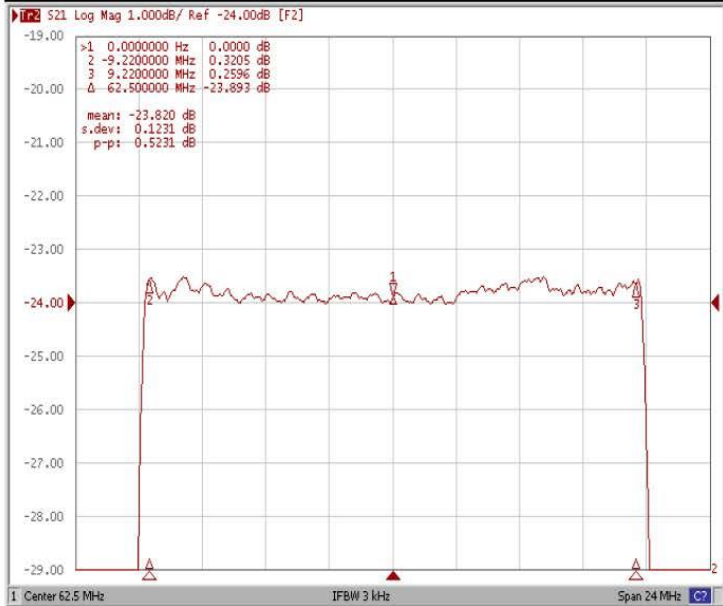
## Part Number: AM62S752



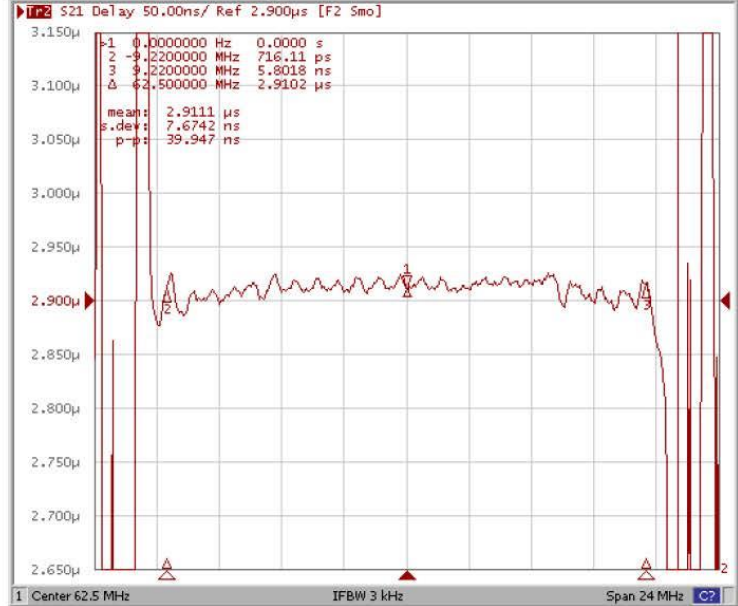
**ANATECH ELECTRONICS INC**  
RF & Microwave Filters & Products

### Frequency Response:

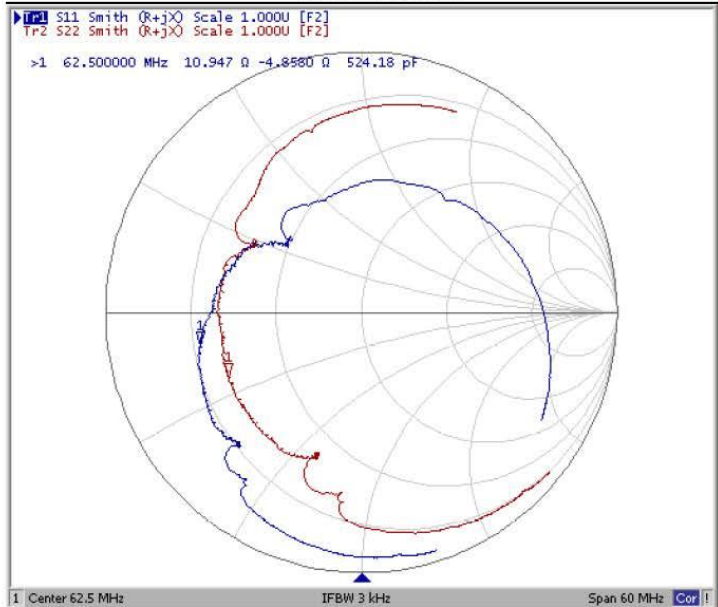
#### Ripple Variation Fo±9.22MHz



#### Group Delay Variation Fo±9.22MHz



#### Smith Chart



#### SWR

