



65 MHz IF Saw Filter

Part Number: AM65S772



Parameters Description	Unit	Minimum	Typical	Maximum
Center Frequency (Fo)	MHz	64.9	65.0	65.1
Insertion Loss at Fo	dB	-	24.5	26.0
Amplitude Ripple Variation	dBp-p	-	0.6	1.0
Group Delay Variation	nsec	-	70	120
Absolute Delay at Fo	µsec	-	2.87	-
Temperature Coefficient	ppm/°C	-	-72	-
Bandwidth at -1.0 dB	MHz	19.1	19.3	-
Bandwidth at -3.0 dB	MHz	19.3	19.6	-
Bandwidth at -40.0 dB	MHz	-	20.8	20.9
Ultimate Rejection	dB	50	55	-

Parameters Description	Unit	Minimum	Typical	Maximum
Operation Temperature Range	°C	-30		-80
Storage Temperature Range	°C	-40	-	+85
Maximum DC Voltage	V	-	-	10
Maximum Input Power	dBm	-	-	10
Source Impedance (Single Ended) ₁	Ω	-	50	-
Load Impedance (Single Ended) ₁	Ω	-	50	-
Package Size and Type	34.7 x 12.6 x 5.05 mm		F	

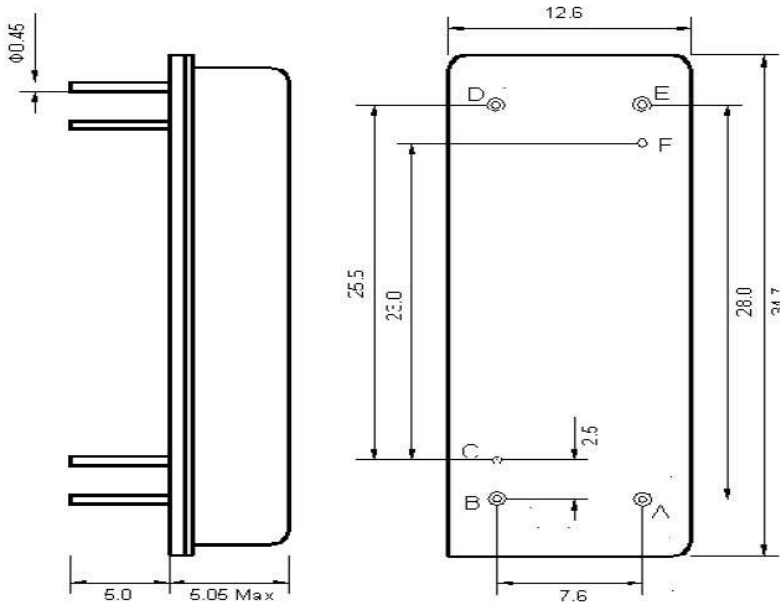


65 MHz IF Saw Filter

Part Number: AM65S772

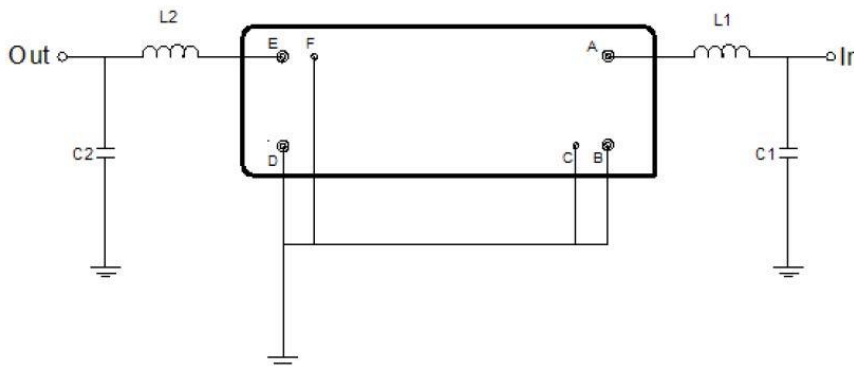


Outline Drawing:



Pin Description	
B C D F	Ground
A	Input
E	Output

Testing Environment:



Test Fixture & Values	
Input	L1 = 220 nH , C1 = 36 pF
Output	L2 = 220 nH , C2 = 43 pF
Source/Load Impedance	50 Ω