



**ANATECH ELECTRONICS INC**  
RF & Microwave Filters & Products

# 65.54 MHz IF Saw Filter

**Part Number: AM65S773**

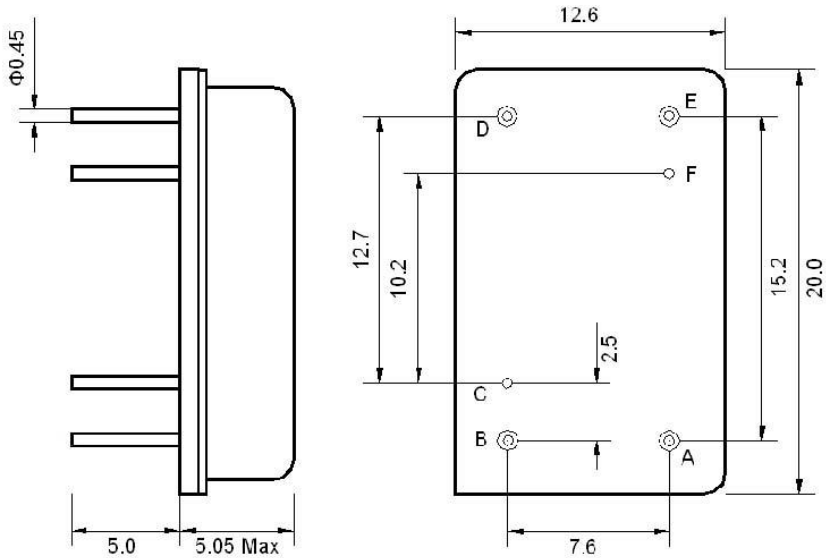


Parameters Description	Unit	Minimum	Typical	Maximum
Center Frequency (Fo)	MHz	65.50	65.54	65.58
Insertion Loss at Fo	dB	-	25.4	26.5
Amplitude Ripple Variation (58.0 ~ 73.0 MHz)	dBp-p	-	0.45	0.55
Group Delay Variation (58.0 ~ 73.0 MHz)	nsec	-	40	100
Absolute Delay at Fo	µsec	-	2.35	-
Temperature Coefficient	ppm/°C	-	-72	-
Bandwidth at -1.0 dB	MHz	18.95	19.23	-
Bandwidth at -3.0 dB	MHz	19.35	19.60	-
Bandwidth at -35.0 dB	MHz	-	20.86	21.00
Bandwidth at -40.0 dB	MHz	-	20.93	21.10
Ultimate Rejection	dB	55	60	-

Parameters Description	Unit	Minimum	Typical	Maximum
Operation Temperature Range	°C	-30		-80
Storage Temperature Range	°C	-40	-	+85
Maximum DC Voltage	V	-	-	10
Maximum Input Power	dBm	-	-	10
Source Impedance (Single Ended) <sub>1</sub>	Ω	-	50	-
Load Impedance (Single Ended) <sub>1</sub>	Ω	-	50	-
Package Size and Type	20.0 x 12.6 x 5.05 mm D			

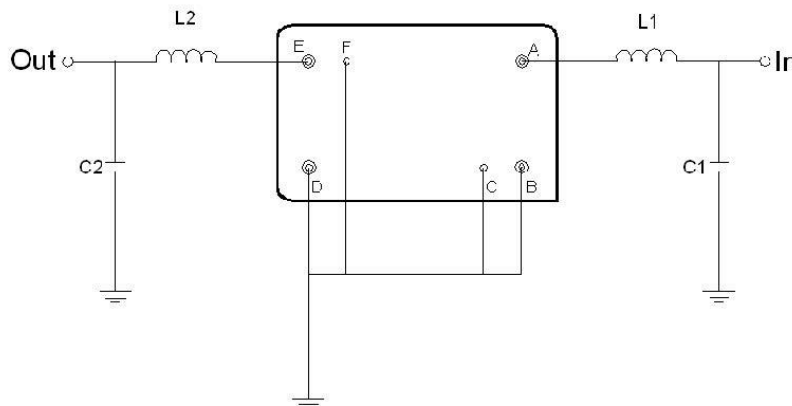


**Outline Drawing:**



Pin Description	
B C D F	Ground
A	Input
E	Output

**Testing Environment:**



Test Fixture & Values	
Input	L1 = 180 nH, C1 = 30 pF
Output	L2 = 180 nH, C2 = 30 pF
Source/Load Impedance	50 $\Omega$



**Frequency Response:**

