



**65.0 MHz IF Saw Filter**  
**Part Number: AM69S775**

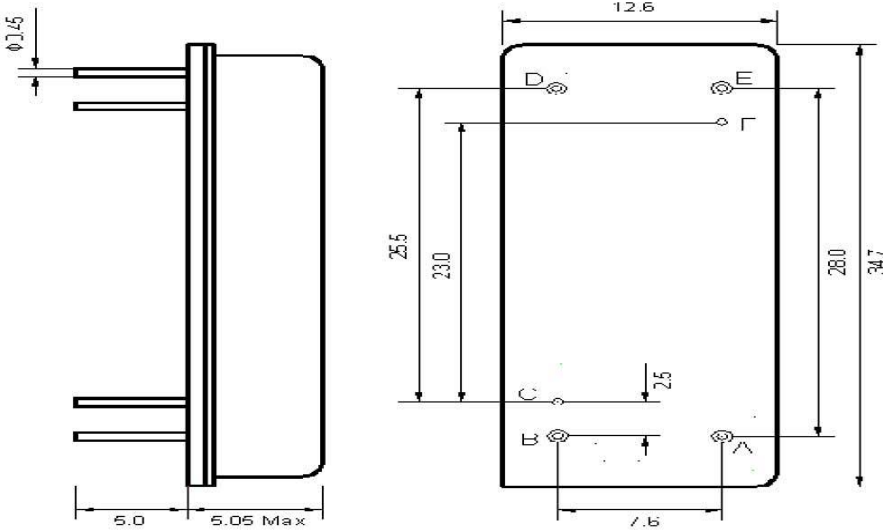


Parameters Description	Unit	Minimum	Typical	Maximum
Center Frequency (Fo)	MHz	64.92	65.0	65.08
Insertion Loss at Fo	dB	-	23.5	25.0
Amplitude Ripple Variation at Fo ± 3.0 MHz	dBp-p	-	0.6	1.0
Group Delay Variation at Fo ± 3.0 MHz	nsec	-	85	150
Absolute Delay at Fo	µsec	-	4.44	-
Temperature Coefficient	ppm/°C	-	-20	-
Bandwidth at -1.0 dB	MHz	-	4.04	-
Bandwidth at -3.0 dB	MHz	4.20	4.24	-
Bandwidth at -40.0 dB	MHz	-	5.17	5.30
Ultimate Rejection	dB	50	55	-

Parameters Description	Unit	Minimum	Typical	Maximum
Operation Temperature Range	°C	-30	-	+80
Storage Temperature Range	°C	-40	-	+85
Maximum DC Voltage	V	-	-	10
Maximum Input Power	dBm	-	-	10
Source Impedance (Single Ended) <sub>1</sub>	Ω	-	50	-
Load Impedance (Single Ended) <sub>1</sub>	Ω	-	50	-
Package Size and Type	34.7 x 12.6 x 5.05 mm		F	

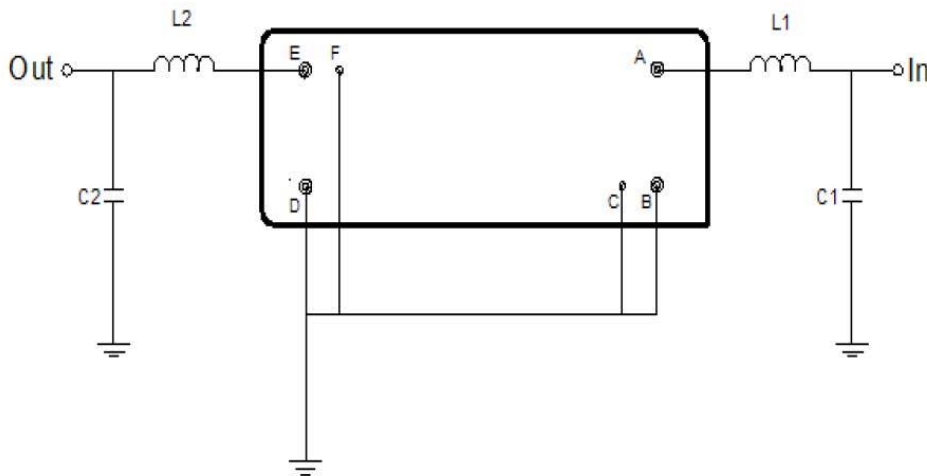


**Outline Drawing:**



Pin Description	
B C D F	Ground
A	Input
E	Output

**Testing Environment:**



Test Fixture & Values	
Input	L1=180nH, C1=51pF
Output	L2=150nH, C2=51pF
Source/Load Impedance	50 $\Omega$



# 65.0 MHz IF Saw Filter

## Part Number: AM69S775



### Frequency Response:

