



ANATECH ELECTRONICS INC
RF & Microwave Filters & Products

70.0 MHz Saw Filter

Part Number: AM70S252



Parameters Description	Unit	Minimum	Typical	Maximum
Center Frequency (Fo)	MHz	69.94	70.00	70.06
Insertion Loss at Fo	dB	-	25.50	27.00
Passband Ripple Variation	dB	-	0.75	1.00
Group Delay Variation	nsec	-	100	150
Absolute Delay at Fo	µsec	-	4.25	-
Bandwidth at 3.0 dB	MHz	7.50	7.58	-
Bandwidth at 40.0 dB	MHz	-	8.30	8.50
Ultimate Rejection	dB	50	55	-
Substrate Material	128 LNiO 3			

Parameters Description	Unit	Minimum	Typical	Maximum
Operation Temperature Range	°C	-30	-	+80
Storage Temperature Range	°C	-40	-	+85
Maximum DC Voltage	V	-	-	10
Maximum Input Power	dBm	-	-	10
Source Impedance (Single Ended) ₁	Ω	-	50	-
Load Impedance (Single Ended) ₁	Ω	-	50	-
Package Size	30.0 x 12.5 x 5.0 mm			

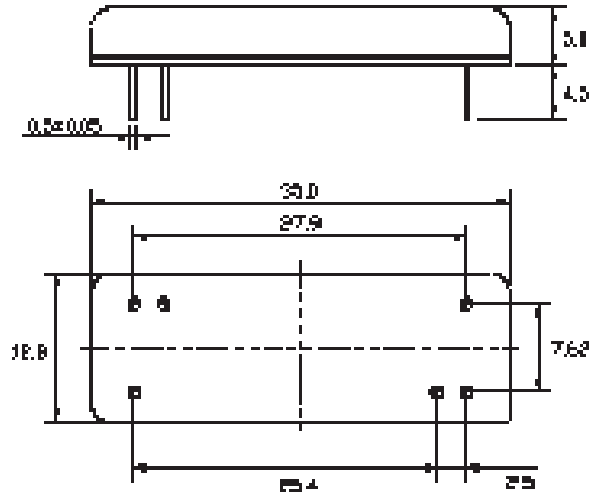


70.0 MHz Saw Filter

Part Number: AM70S252



Outline Drawing:



Matching Configuration:



Bottom View
Source/Load Impedance = 50
Ambient Temperature = 25°C



70.0 MHz Saw Filter

Part Number: AM70S252



Plot:

