



# 70 MHz IF Saw Filter 9 MHz Bandwidth

## Part Number: AM70S631

**ANATECH ELECTRONICS INC**  
RF & Microwave Filters & Products



Parameters Description	Unit	Minimum	Typical	Maximum
Center Frequency (Fo)	MHz	69.92	70.0	70.08
Insertion Loss at Fo	dB	-	22.5	24.0
Amplitude Ripple Variation	dB <sub>p-p</sub>	-	0.65	1.0
Group Delay Variation	nsec	-	75	100
Absolute Delay at Fo	μsec	-	3.2	-
Temperature Coefficient	ppm/°C	-	-72	-
Bandwidth at -1.0 dB	MHz	9.8	9.96	-
Bandwidth at -3.0 dB	MHz	10.0	10.17	-
Bandwidth at -50.0 dB	MHz	-	11.19	11.30
Ultimate Rejection	dB	52	60	-

Parameters Description	Unit	Minimum	Typical	Maximum
Operation Temperature Range	°C	-30	-	+80
Storage Temperature Range	°C	-40	-	+85
Maximum DC Voltage	V	-	-	10
Maximum Input Power	dBm	-	-	10
Source Impedance (Single Ended) <sub>1</sub>	Ω	-	50	-
Load Impedance (Single Ended) <sub>1</sub>	Ω	-	50	-
Package Size and Type	34.7 x 12.6 x 5.05 mm			F



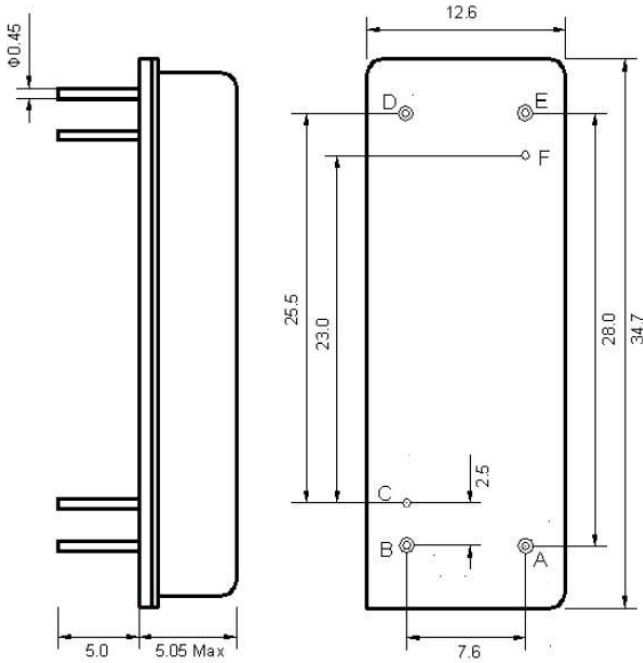
# 70 MHz IF Saw Filter 9 MHz Bandwidth

## Part Number: AM70S631



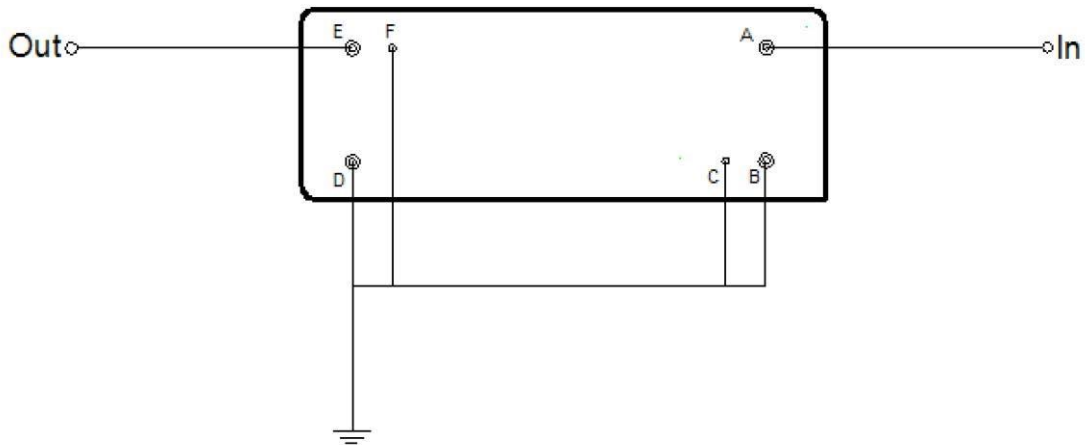
**ANATECH ELECTRONICS INC**  
RF & Microwave Filters & Products

### Outline Drawing:



Pin Description	
B C D F	Ground
A	Input
E	Output

### Testing Environment:



Source & Load Impedance: 50  $\Omega$   
No Matching Required



### Frequency Response:

