



70 MHz IF Saw Filter 10 MHz Bandwidth



ANATECH ELECTRONICS INC
RF & Microwave Filters & Products

Part Number: AM70S632

| Parameters Description | Unit | Minimum | Typical | Maximum |
|----------------------------|-------------------|---------|---------|---------|
| Center Frequency (Fo) | MHz | 69.92 | 70.0 | 70.08 |
| Insertion Loss at Fo | dB | - | 23.5 | 25.0 |
| Amplitude Ripple Variation | dB _{p-p} | - | 0.65 | 1.0 |
| Group Delay Variation | nsec | - | 80 | 120 |
| Absolute Delay at Fo | μsec | - | 3.44 | - |
| Temperature Coefficient | ppm/°C | - | -72 | - |
| Bandwidth at -1.0 dB | MHz | 10.30 | 10.45 | - |
| Bandwidth at -3.0 dB | MHz | 10.45 | 10.67 | - |
| Bandwidth at -50.0 dB | MHz | - | 11.65 | 11.85 |
| Ultimate Rejection | dB | 55 | 60 | - |

| Parameters Description | Unit | Minimum | Typical | Maximum |
|--|-------------------------|---------|---------|---------|
| Operation Temperature Range | °C | -30 | - | +80 |
| Storage Temperature Range | °C | -40 | - | +85 |
| Maximum DC Voltage | V | - | - | 10 |
| Maximum Input Power | dBm | - | - | 10 |
| Source Impedance (Single Ended) ₁ | Ω | - | 50 | - |
| Load Impedance (Single Ended) ₁ | Ω | - | 50 | - |
| Package Size and Type | 34.7 x 12.6 x 5.05 mm F | | | |



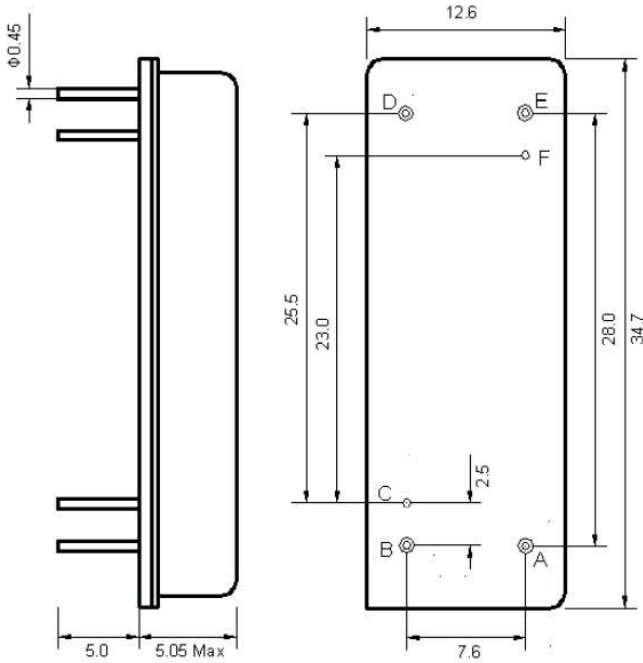
70 MHz IF Saw Filter 10 MHz Bandwidth

Part Number: AM70S632



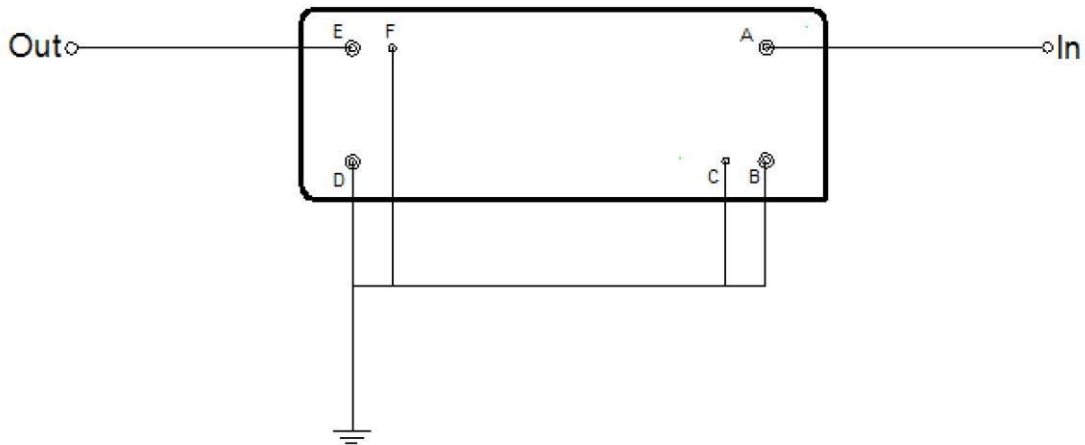
ANATECH ELECTRONICS INC
RF & Microwave Filters & Products

Outline Drawing:



| Pin Description | |
|-----------------|--------|
| B C D F | Ground |
| A | Input |
| E | Output |

Testing Environment:



Source & Load Impedance: 50 Ω
No Matching Required



Frequency Response:

