



# 70 MHz IF Saw Filter 19 MHz Bandwidth



**ANATECH ELECTRONICS INC**  
RF & Microwave Filters & Products

**Part Number: AM70S633**

Parameters Description	Unit	Minimum	Typical	Maximum
Center Frequency (Fo)	MHz	70.05	70.1	70.15
Insertion Loss at Fo	dB	-	23.5	24.5
Amplitude Ripple Variation	dB <sub>p-p</sub>	-	0.65	1.0
Group Delay Variation	nsec	-	50	100
Absolute Delay at Fo	μsec	-	3.27	-
Temperature Coefficient	ppm/°C	-	-72	-
Bandwidth at -1.0 dB	MHz	-	19.0	-
Bandwidth at -3.0 dB	MHz	19.1	19.2	-
Bandwidth at -50.0 dB	MHz	-	20.18	20.23
Ultimate Rejection	dB	50	55	-
Relative Attenuation at Fo ± 10.0 MHz	dB	-	33	-

Parameters Description	Unit	Minimum	Typical	Maximum
Operation Temperature Range	°C	-30	-	+80
Storage Temperature Range	°C	-40	-	+85
Maximum DC Voltage	V	-	-	10
Maximum Input Power	dBm	-	-	10
Source Impedance (Single Ended) <sub>1</sub>	Ω	-	50	-
Load Impedance (Single Ended) <sub>1</sub>	Ω	-	50	-
Package Size and Type	35.0 x 12.8 x 5.3 mm		F	



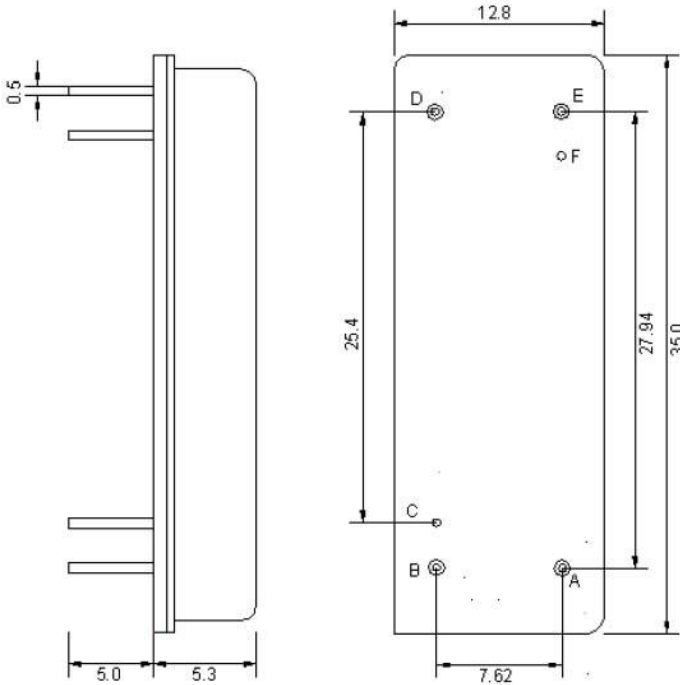
# 70 MHz IF Saw Filter 19 MHz Bandwidth

## Part Number: AM70S633



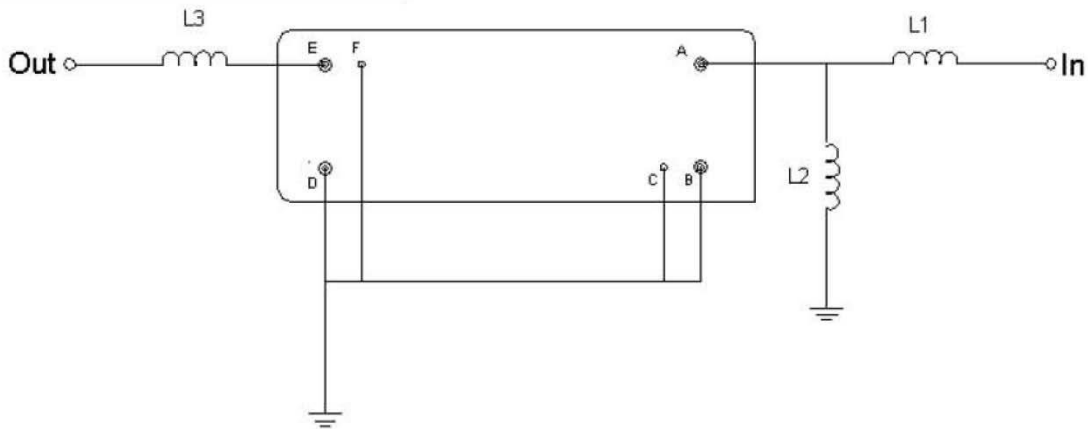
**ANATECH ELECTRONICS INC**  
RF & Microwave Filters & Products

### Outline Drawing:



Pin Description	
B C D F	Ground
A	Input
E	Output

### Testing Environment:



Test Fixture & Values	
Input	L1= 82 nH, L2= 470 nH
Output	L3= 82 nH
Source/Load Impedance	50 Ω



### Frequency Response:

