



70 MHz IF Saw Filter 26 MHz Bandwidth



ANATECH ELECTRONICS INC
RF & Microwave Filters & Products

Part Number: AM70S637

Parameters Description	Unit	Minimum	Typical	Maximum
Center Frequency (Fo)	MHz	69.92	70.0	70.08
Insertion Loss at Fo	dB	-	22.8	24.0
Amplitude Ripple Variation	dB _{p-p}	-	0.7	1.0
Group Delay Variation	nsec	-	50	100
Absolute Delay at Fo	µsec	-	2.34	-
Temperature Coefficient	ppm/°C	-	-72	-
Bandwidth at -1.0 dB	MHz	20.0	20.1	--
Bandwidth at -3.0 dB	MHz	20.3	20.4	-
Bandwidth at -40.0 dB	MHz	-	21.7	21.9
Relative Attenuation:				
Lower Sidelobe	dB	50	55	-
Upper Sidelobe	dB	50	55	-

Parameters Description	Unit	Minimum	Typical	Maximum
Operation Temperature Range	°C	-30	-	+80
Storage Temperature Range	°C	-40	-	+85
Maximum DC Voltage	V	-	-	10
Maximum Input Power	dBm	-	-	10
Source Impedance (Single Ended) ₁	Ω	-	50	-
Load Impedance (Single Ended) ₁	Ω	-	50	-
Package Size and Type	20.0 x 12.6 x 5.05 mm			D



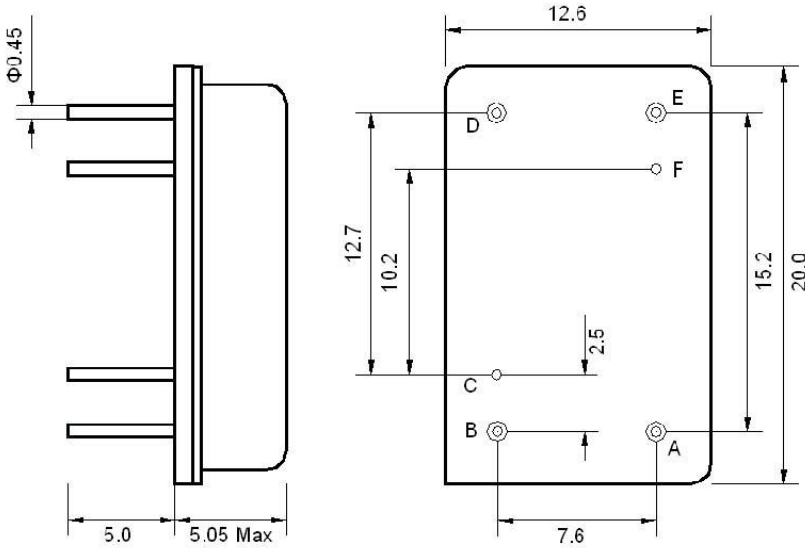
70 MHz IF Saw Filter 26 MHz Bandwidth

Part Number: AM70S637



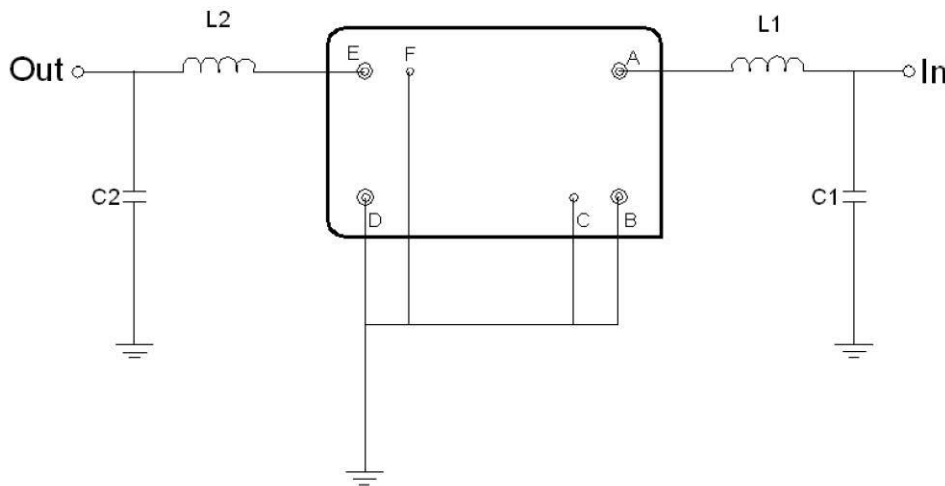
ANATECH ELECTRONICS INC
RF & Microwave Filters & Products

Outline Drawing:



Pin Description	
B C E F	Ground
A	Input
D	Output

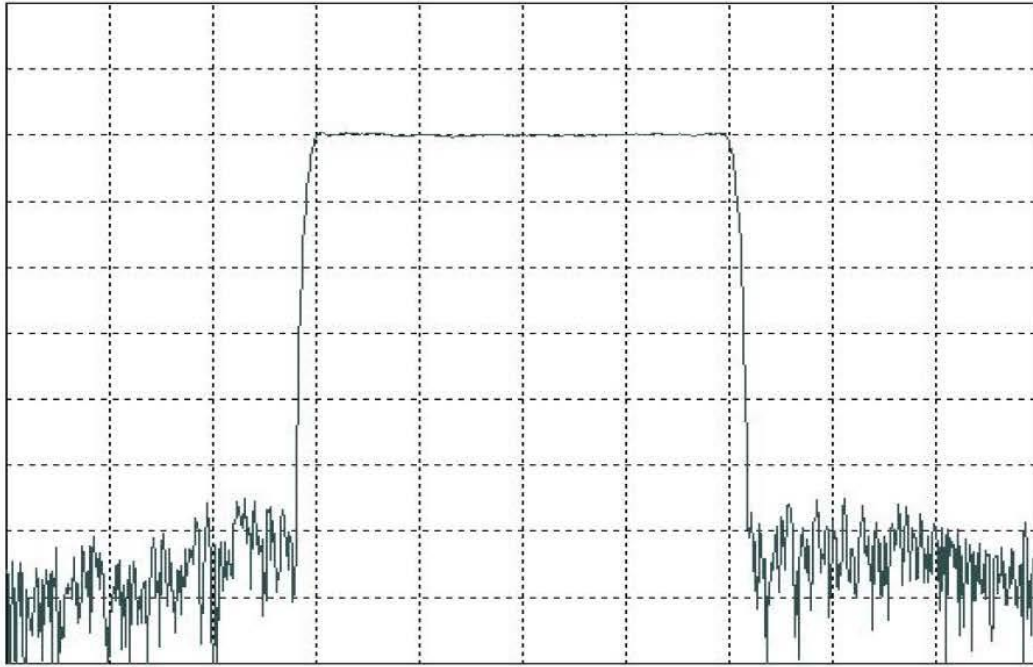
Testing Environment:



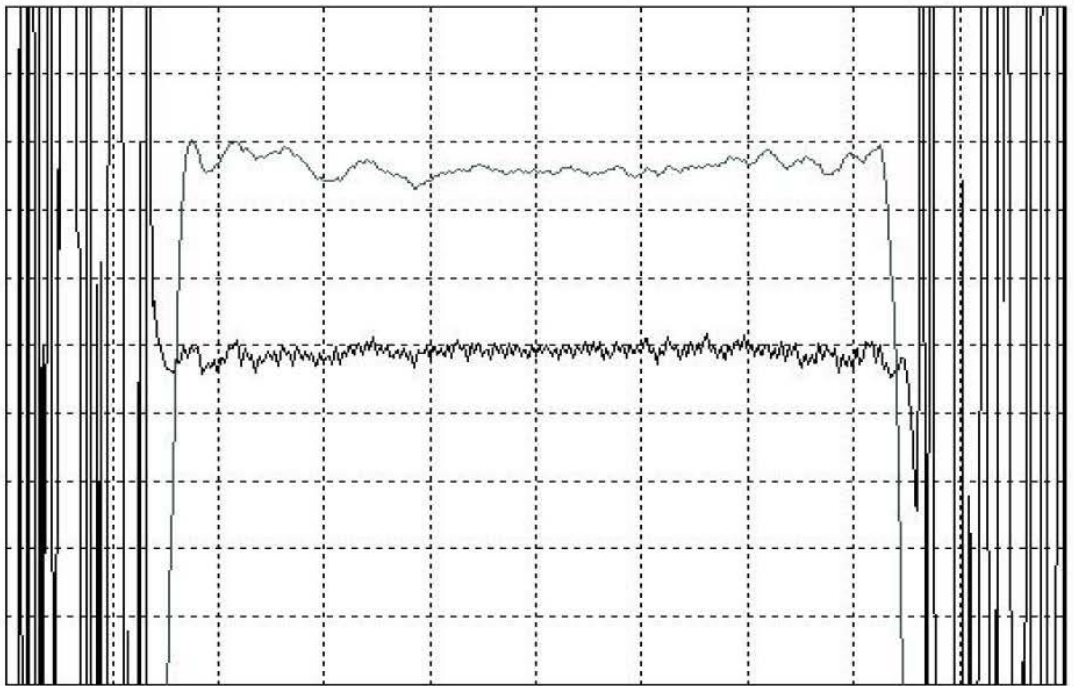
Test Fixture & Values	
Input	L1 = 177 nH , C1 = 8 pF
Output	L2 = 202 nH , C2 = 39 pF
Source/Load Impedance	50 Ω



Frequency Response:



Horizontal : 5.0 MHz/Div
Vertical : 10 dB/Div



Horizontal : 3.0 MHz/Div
Vertical : 1 dB/Div
Vertical : 100 ns/Div