



70 MHz IF Saw Filter 19 MHz Bandwidth



ANATECH ELECTRONICS INC
RF & Microwave Filters & Products

Part Number: AM70S641

Parameters Description	Unit	Minimum	Typical	Maximum
Center Frequency (Fo)	MHz	69.92	70.00	70.08
Insertion Loss at Fo	dB	-	24.0	26.0
Passband Ripple Variation	dB	-	0.8	1.0
Group Delay Variation	nsec	-	30	80
Absolute Delay at Fo	µsec	-	1.98	-
Temperature Coefficient	ppm/°C	-	-72	-
Bandwidth at -1.0 dB	MHz	19.0	19.15	-
Bandwidth at -3.0 dB	MHz	19.5	19.60	-
Bandwidth at -40.0 dB	MHz	-	21.45	21.70
Ultimate Rejection	dB	50	55	-

Parameters Description	Unit	Minimum	Typical	Maximum
Operation Temperature Range	°C	-30	-	+80
Storage Temperature Range	°C	-40	-	+85
Maximum DC Voltage	V	-	-	10
Maximum Input Power	dBm	-	-	10
Source Impedance (Single Ended) ₁	Ω	-	50	-
Load Impedance (Single Ended) ₁	Ω	-	50	-
Package Size and Type	20.0 x 12.6 x 5.05 mm			D



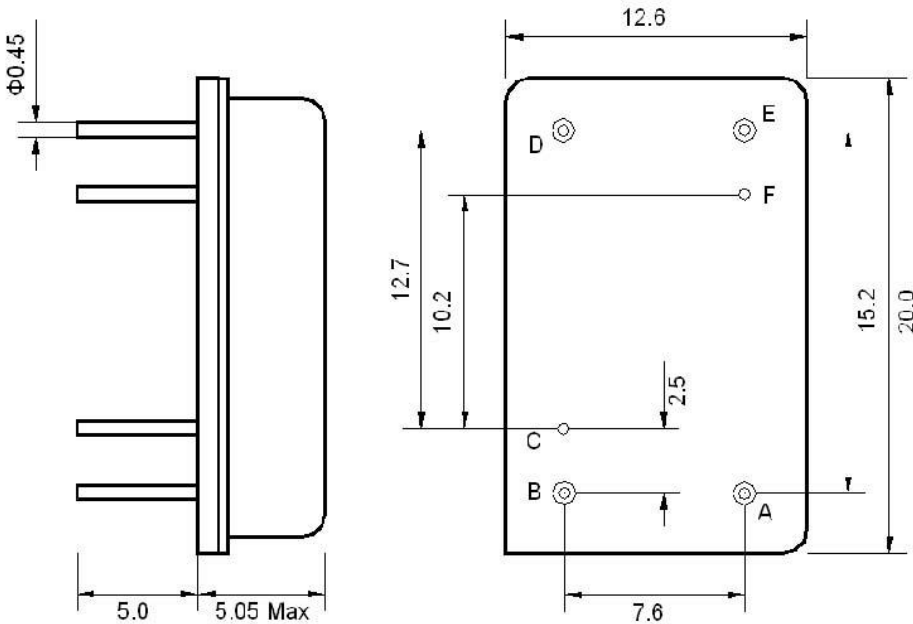
70 MHz IF Saw Filter 19 MHz Bandwidth

Part Number: AM70S641



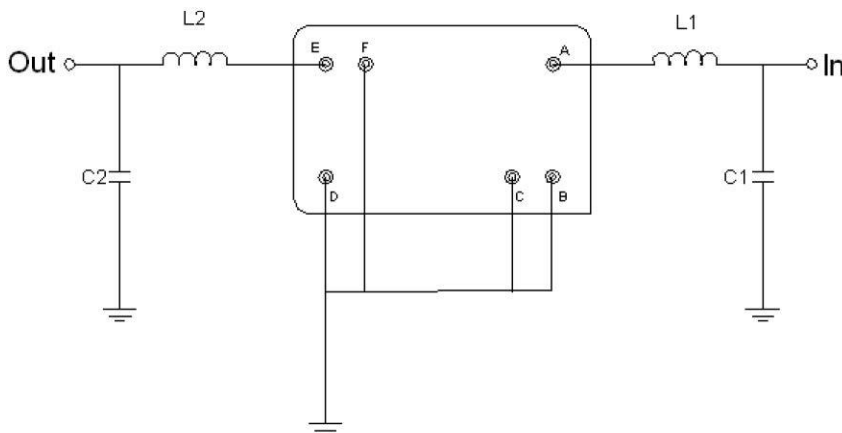
ANATECH ELECTRONICS INC
RF & Microwave Filters & Products

Outline Drawing:



Pin Description	
B C E F	Ground
A	Input
D	Output

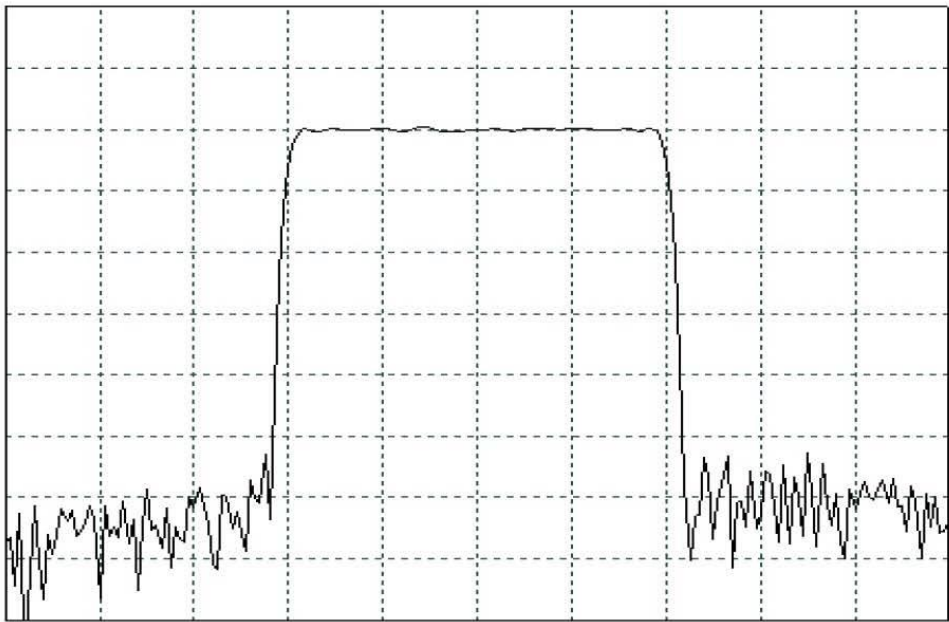
Testing Environment:



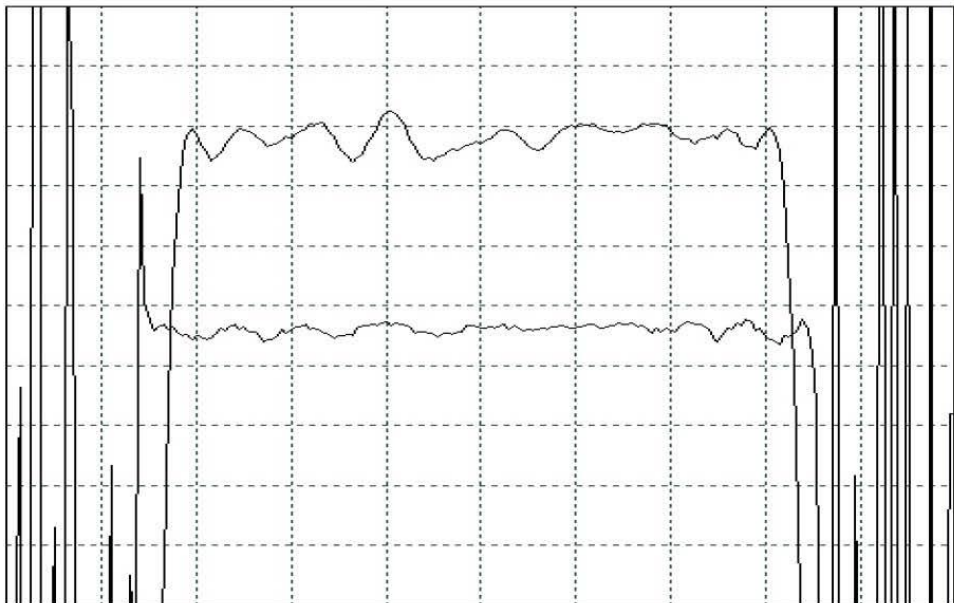
Test Fixture & Values	
Input	L1 = 150 nH, C1 = 0 pF
Output	L2 = 220 nH, C2 = 43 pF
Source/Load Impedance	50 Ω



Frequency Response:



Horizontal : 5.0 MHz/Div
Vertical : 10 dB/Div



Horizontal : 3.0 MHz/Div
Vertical : 1 dB/Div
Vertical : 100 ns/Div