



# 70 MHz IF Saw Filter 9 MHz Bandwidth

## Part Number: AM70S644

**ANATECH ELECTRONICS INC**  
RF & Microwave Filters & Products



Parameters Description	Unit	Minimum	Typical	Maximum
Center Frequency (Fo)	MHz	69.92	70.0	70.08
Insertion Loss at Fo	dB	-	28.5	30.0
Passband Ripple Variation	dB	-	0.65	1.0
Group Delay Variation	nsec	-	70	150
Absolute Delay at Fo	µsec	-	4.40	-
Temperature Coefficient	ppm/°C	-	-72	-
Bandwidth at -1.0 dB	MHz	9.25	9.32	-
Bandwidth at -3.0 dB	MHz	9.45	9.52	-
Bandwidth at -40.0 dB	MHz	-	10.28	10.35
Bandwidth at -50.0 dB	MHz	-	10.35	10.40
Ultimate Rejection	dB	50	55	-

Parameters Description	Unit	Minimum	Typical	Maximum
Operation Temperature Range	°C	-30	-	+80
Storage Temperature Range	°C	-40	-	+85
Maximum DC Voltage	V	-	-	10
Maximum Input Power	dBm	-	-	10
Source Impedance (Single Ended) <sub>1</sub>	Ω	-	50	-
Load Impedance (Single Ended) <sub>1</sub>	Ω	-	50	-
Package Size and Type	34.7 x 12.6 x 5.05 mm			F



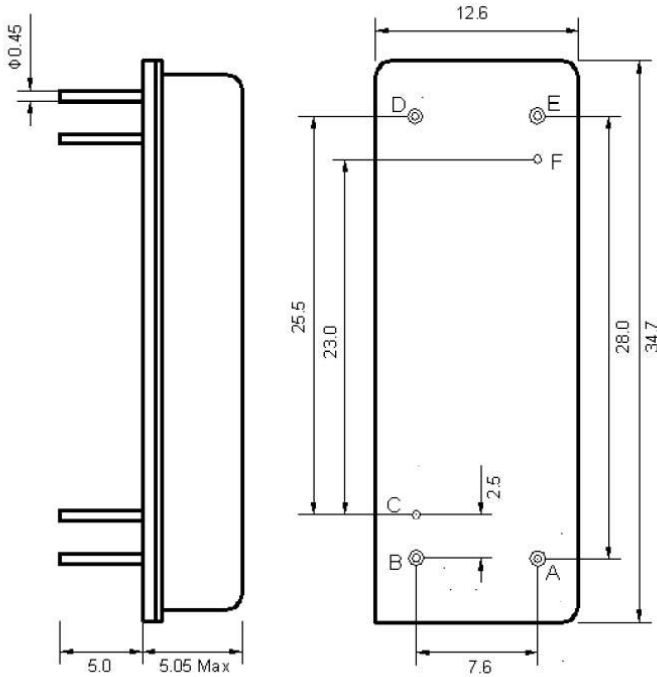
# 70 MHz IF Saw Filter 9 MHz Bandwidth

## Part Number: AM70S644



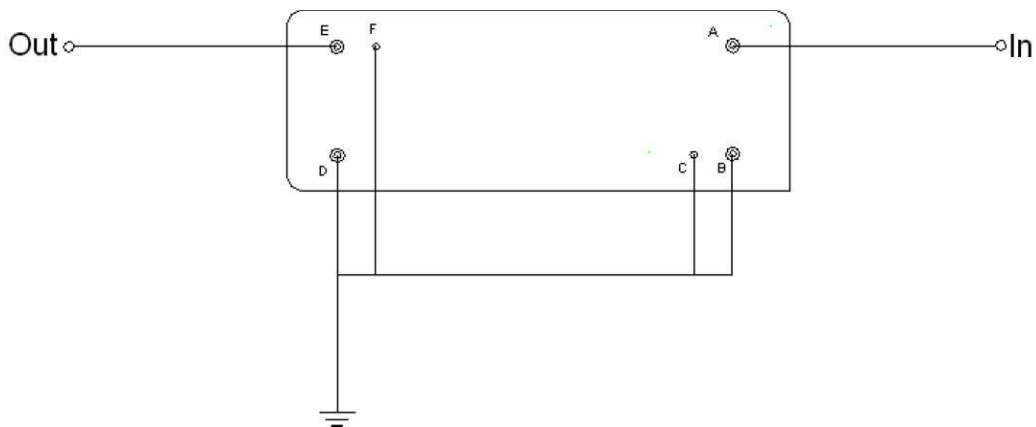
**ANATECH ELECTRONICS INC**  
RF & Microwave Filters & Products

### Outline Drawing:



Pin Description	
B C E F	Ground
A	Input
D	Output

### Testing Environment:



No Matching Required  
Source/Load Impedance = 50  $\Omega$