



70 MHz IF Saw Filter 7 MHz Bandwidth



ANATECH ELECTRONICS INC
RF & Microwave Filters & Products

Part Number: AM70S645

Parameters Description	Unit	Minimum	Typical	Maximum
Center Frequency (Fo)	MHz	69.92	70.0	70.08
Insertion Loss at Fo	dB	-	20.0	22.0
Passband Ripple Variation	dB	-	0.85	1.0
Group Delay Variation	nsec	-	55	100
Absolute Delay at Fo	µsec	-	2.95	-
Temperature Coefficient	ppm/°C	-	-84	-
Bandwidth at -1.0 dB	MHz	6.9	7.0	-
Bandwidth at -2.5 dB	MHz	7.2	7.3	-
Bandwidth at -40.0 dB	MHz	-	8.5	8.7
Ultimate Rejection	dB	50	55	-

Parameters Description	Unit	Minimum	Typical	Maximum
Operation Temperature Range	°C	-30	-	+80
Storage Temperature Range	°C	-40	-	+85
Maximum DC Voltage	V	-	-	10
Maximum Input Power	dBm	-	-	10
Source Impedance (Single Ended) ₁	Ω	-	50	-
Load Impedance (Single Ended) ₁	Ω	-	50	-
Package Size and Type	27.2 x 12.0 x 5.3 mm		E	



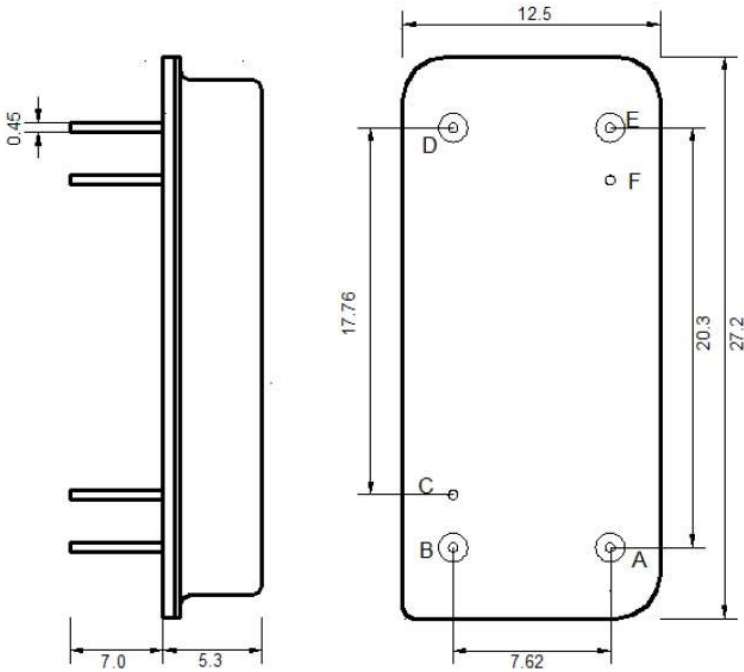
70 MHz IF Saw Filter 7 MHz Bandwidth

Part Number: AM70S645



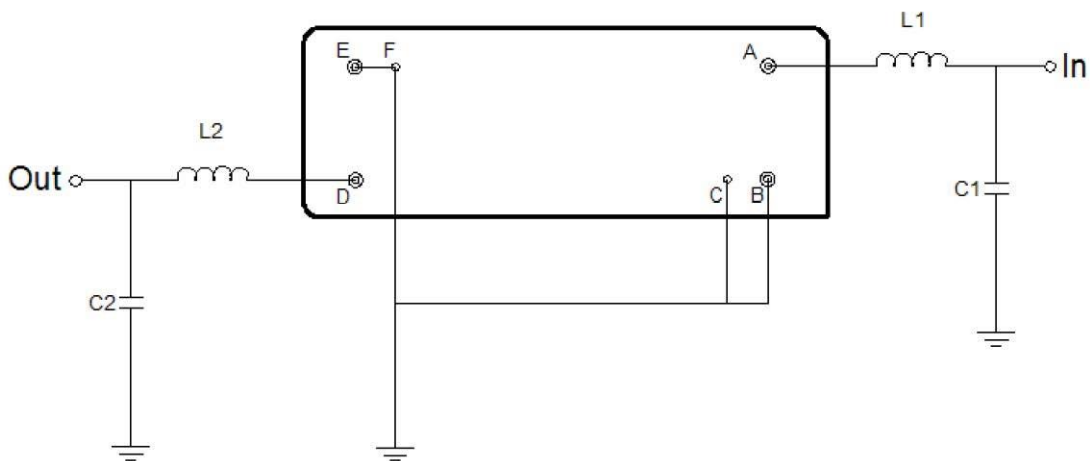
ANATECH ELECTRONICS INC
RF & Microwave Filters & Products

Outline Drawing:



Pin Description	
B C E F	Ground
A	Input
D	Output

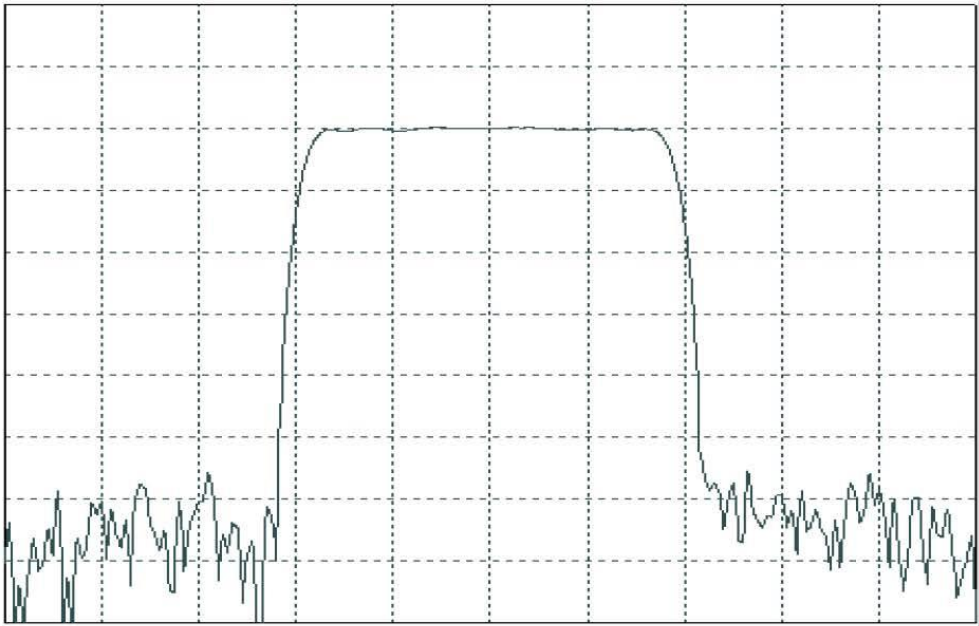
Testing Environment:



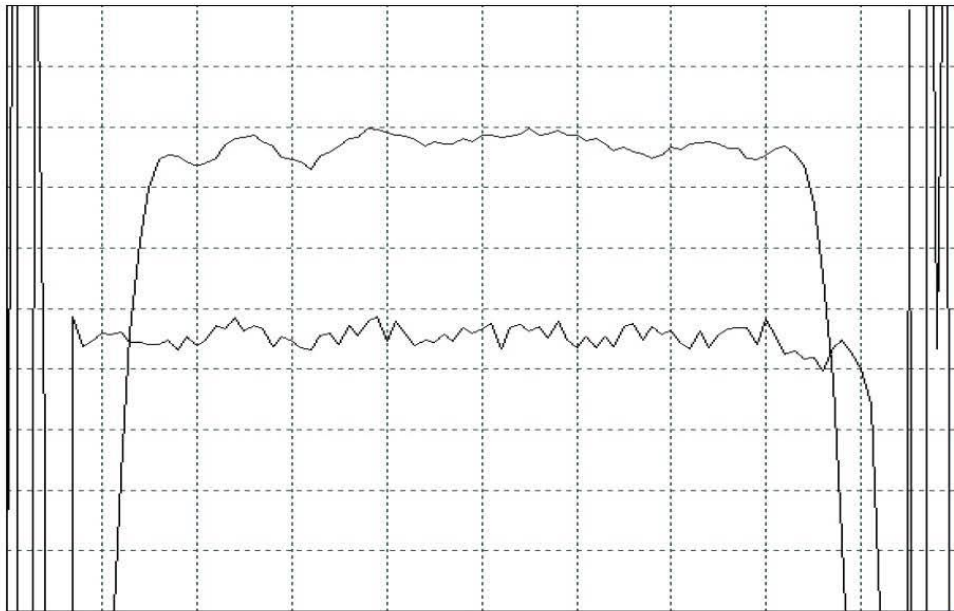
Test Fixture & Values	
Input	L1 = 120 nH , C1 = 56 pF
Output	L2 = 100 nH , C2 = 27 pF
Source/Load Impedance	50 Ω



Frequency Response:



Horizontal : 2.0 MHz/Div
Vertical : 10 dB/Div



Horizontal : 1.0 MHz/Div
Vertical : 1.0 dB/Div
Vertical : 100 ns/Div