



70 MHz IF Saw Filter

Part Number: AM70S648

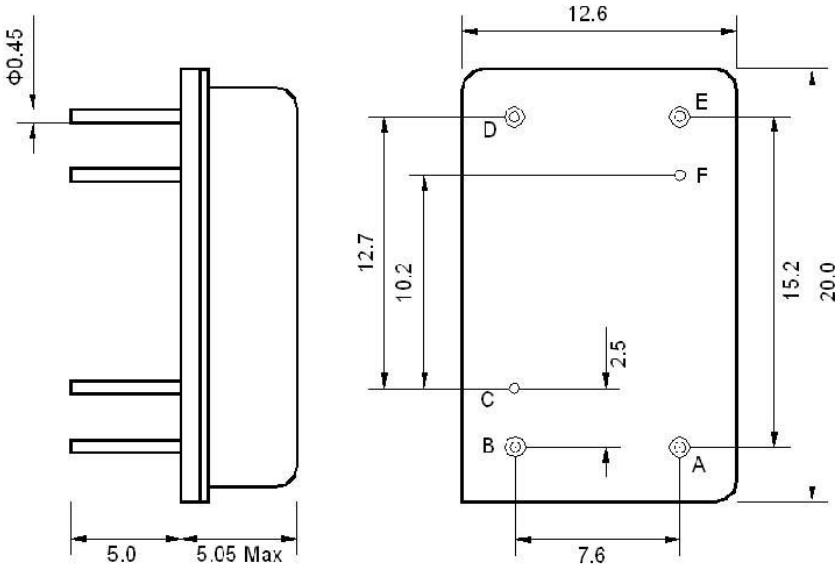


Parameters Description	Unit	Minimum	Typical	Maximum
Center Frequency (Fo)	MHz	69.95	70.00	70.05
Insertion Loss at Fo	dB	-	13.7	15.0
Group Delay Variation	nsec	-	300	500
Absolute Delay at Fo	µsec	-	2.5	-
Phase Linearity	degc	-	3.0	6.0
Passband Ripple Variation	dB	-	0.8	1.5
Temperature Coefficient	ppm/°C	-	-0.03	-
Bandwidth at -1.0 dB	MHz	0.30	0.39	-
Bandwidth at -3.0 dB	MHz	0.47	0.59	-
Bandwidth at -40.0 dB	MHz	-	1.395	1.42
Ultimate Rejection	dB	40	50	-

Parameters Description	Unit	Minimum	Typical	Maximum
Operation Temperature Range	°C	-30	-	+80
Storage Temperature Range	°C	-40	-	+85
Maximum DC Voltage	V	-	-	10
Maximum Input Power	dBm	-	-	10
Source Impedance (Single Ended) ₁	Ω	-	50	-
Load Impedance (Single Ended) ₁	Ω	-	50	-
Package Size and Type	20.0 x 12.6 x 5.05 mm			D

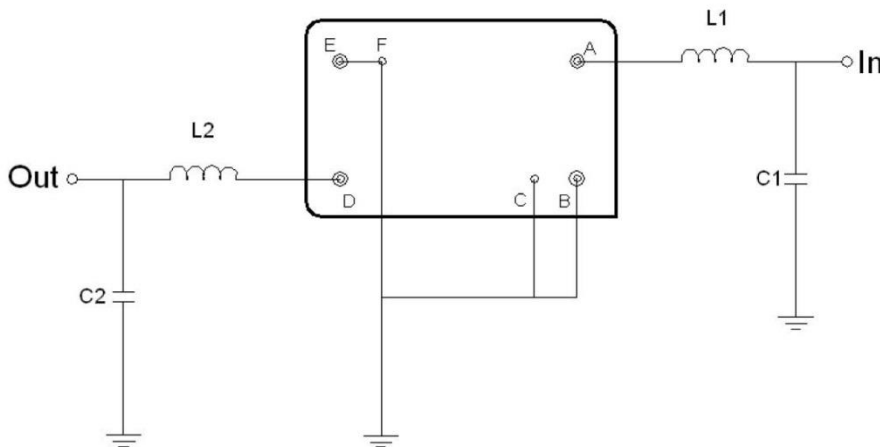


Outline Drawing:



Pin Description	
B C E F	Ground
A	Input
D	Output

Testing Environment:



Test Fixture & Values	
Input	L1 = 560 nH , C1 = 30 pF
Output	L2 = 390 nH , C2 = 22 pF
Source/Load Impedance	50 Ω

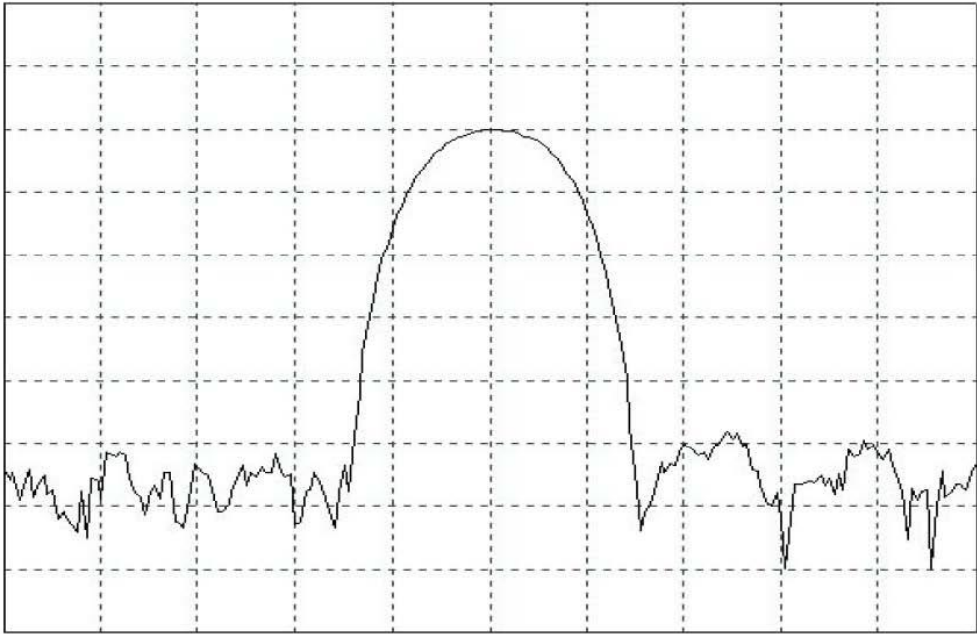


70 MHz IF Saw Filter

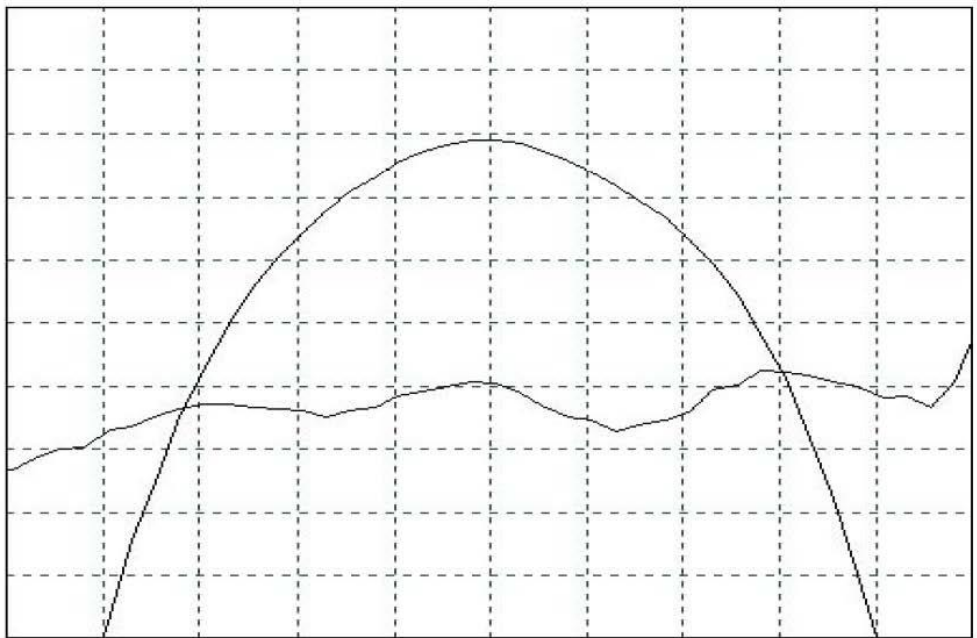
Part Number: AM70S648



Frequency Response:



Horizontal : 0.5 MHz/Div
Vertical : 10 dB/Div



Horizontal : 0.1 MHz/Div
Vertical : 1 dB/Div
Vertical : 100 ns/Div