



ANATECH ELECTRONICS INC
RF & Microwave Filters & Products

70 MHz IF Saw Filter 11 MHz Bandwidth

Part Number: AM70S652



Parameters Description	Unit	Minimum	Typical	Maximum
Center Frequency (Fo)	MHz	69.9	70.0	70.1
Insertion Loss at Fo	dB	-	23.0	26.0
Passband Ripple Variation	dB	-	0.8	1.0
Group Delay Variation	nsec	-	40	70
Absolute Delay at Fo	µsec	-	2.28	-
Phase Linearity	Deg	-	4.5	7.0
Temperature Coefficient	ppm/°C	-	-84	-
Bandwidth at -1.0 dB	MHz	11.6	11.9	-
Bandwidth at -3.0 dB	MHz	12.1	12.4	-
Bandwidth at -40.0 dB	MHz	-	14.0	14.5
Ultimate Rejection	dB	50	55	-

Parameters Description	Unit	Minimum	Typical	Maximum
Operation Temperature Range	°C	-30	-	+80
Storage Temperature Range	°C	-40	-	+85
Maximum DC Voltage	V	-	-	10
Maximum Input Power	dBm	-	-	10
Source Impedance (Single Ended) ₁	Ω	-	50	-
Load Impedance (Single Ended) ₁	Ω	-	50	-
Package Size and Type	20.0 x 12.6 x 5.05 mm D			



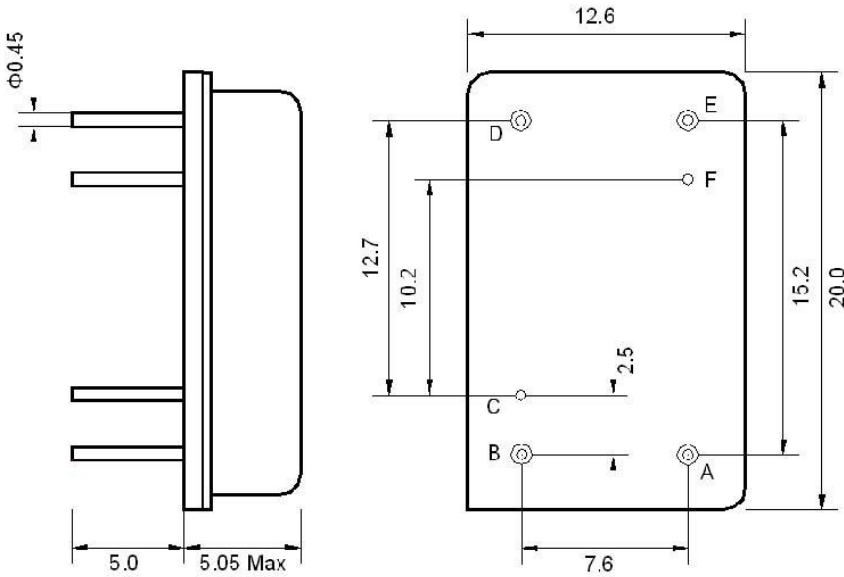
70 MHz IF Saw Filter 11 MHz Bandwidth

Part Number: AM70S652



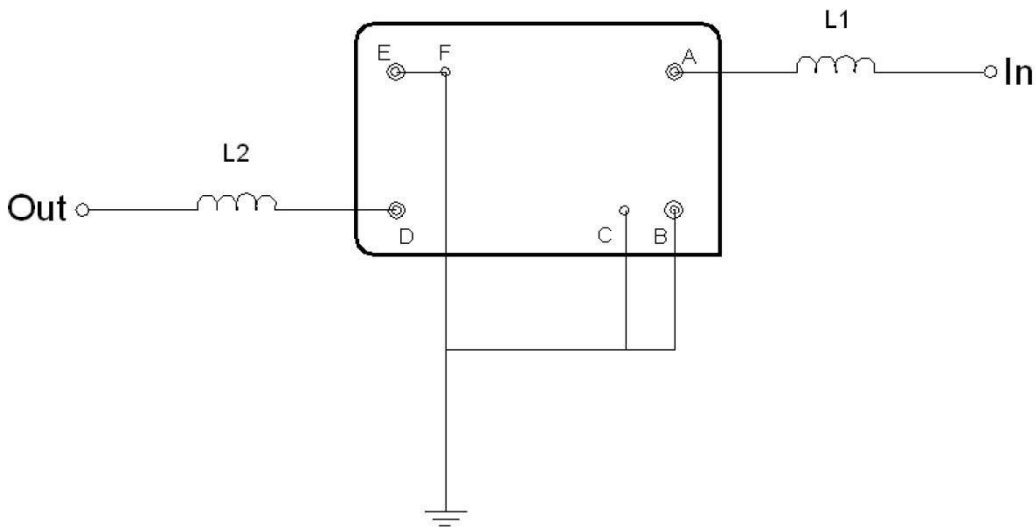
ANATECH ELECTRONICS INC
RF & Microwave Filters & Products

Outline Drawing:



Pin Description	
B C E F	Ground
A	Input
D	Output

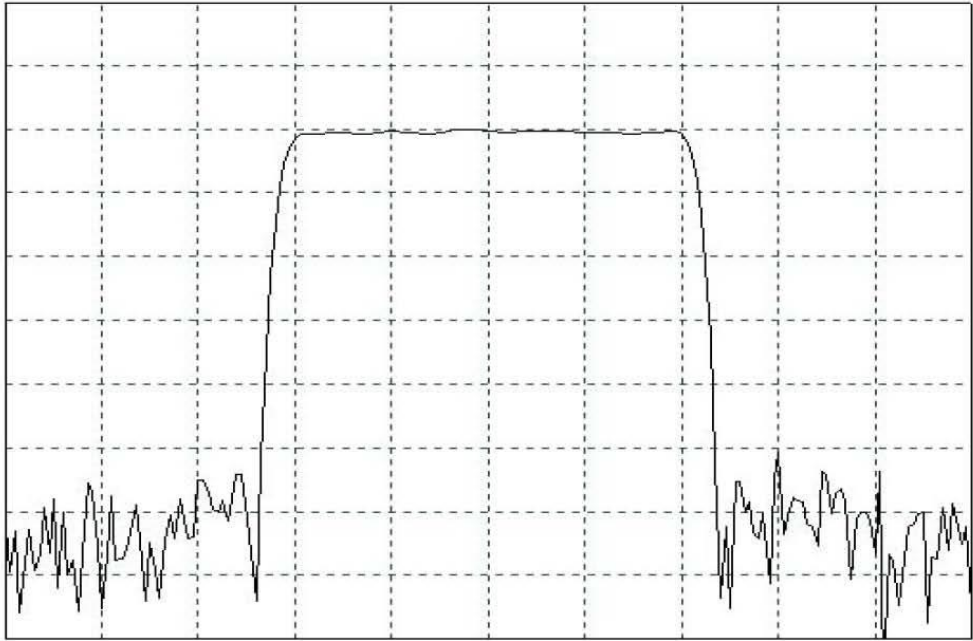
Testing Environment:



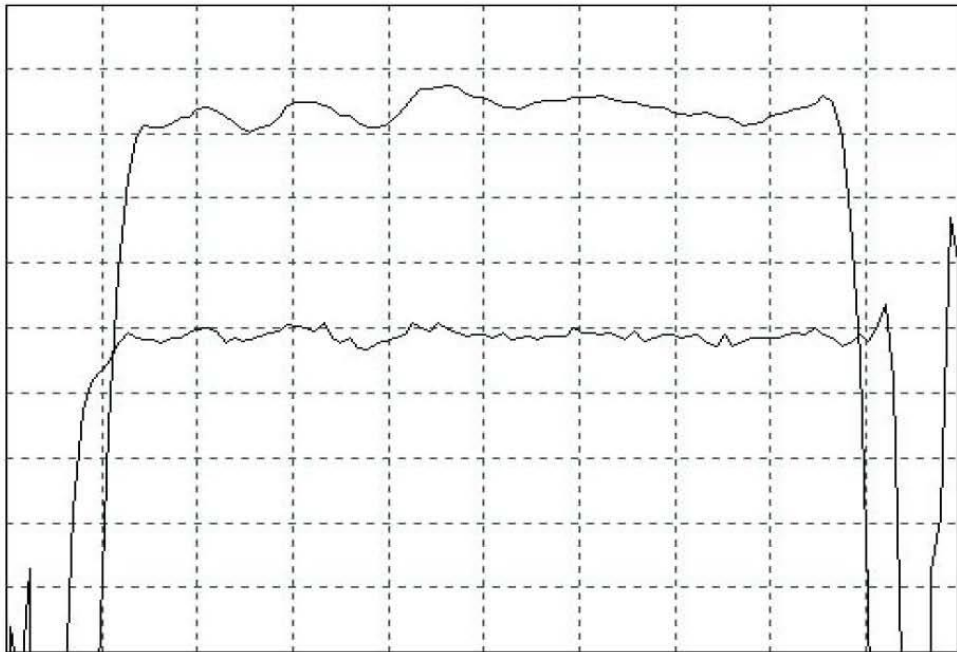
Test Fixture & Values	
Input	L1 = 150 nH
Output	L2 = 3.3 nH
Source/Load Impedance	50 Ω



Frequency Response:



Horizontal : 3.0 MHz/Div
Vertical : 10 dB/Div



Horizontal : 1.6 MHz/Div
Vertical : 1.0 dB/Div
Vertical : 100 ns/Div