



70 MHz IF Saw Filter 6 MHz Bandwidth

Part Number: AM70S653

ANATECH ELECTRONICS INC
RF & Microwave Filters & Products

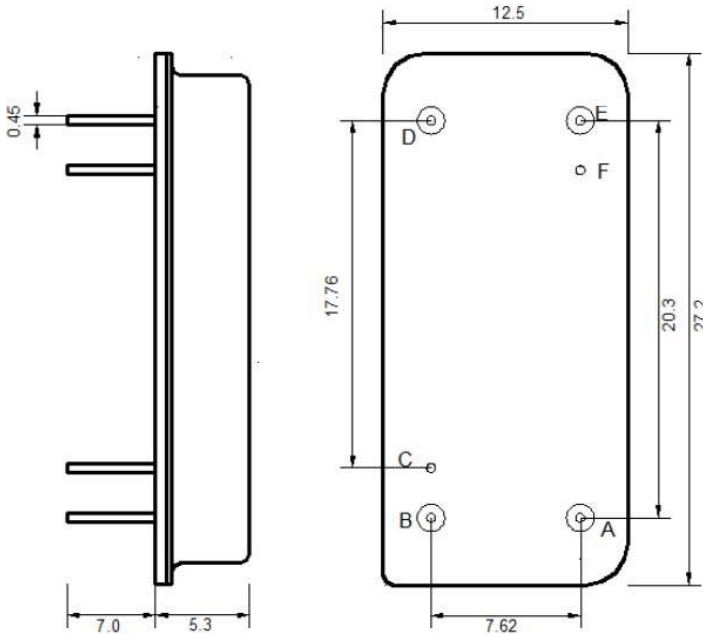


Parameters Description	Unit	Minimum	Typical	Maximum
Center Frequency (Fo)	MHz	69.9	70.0	70.1
Insertion Loss at Fo	dB	-	23.5	25.0
Passband Ripple Variation	dB	-	0.6	1.0
Group Delay Variation	nsec	-	45	100
Absolute Delay at Fo	µsec	-	2.865	-
Phase Linearity	Deg	-	3.4	7.0
Temperature Coefficient	ppm/°C	-	-84	-
Bandwidth at -1.0 dB	MHz	6.3	6.5	-
Bandwidth at -3.0 dB	MHz	6.6	6.9	-
Bandwidth at -40.0 dB	MHz	-	8.2	8.5
Ultimate Rejection	dB	50	60	-

Parameters Description	Unit	Minimum	Typical	Maximum
Operation Temperature Range	°C	-30	-	+80
Storage Temperature Range	°C	-40	-	+85
Maximum DC Voltage	V	-	-	10
Maximum Input Power	dBm	-	-	10
Source Impedance (Single Ended) ₁	Ω	-	50	-
Load Impedance (Single Ended) ₁	Ω	-	50	-
Package Size and Type	27.2 x 12.0 x 5.3 mm		E	

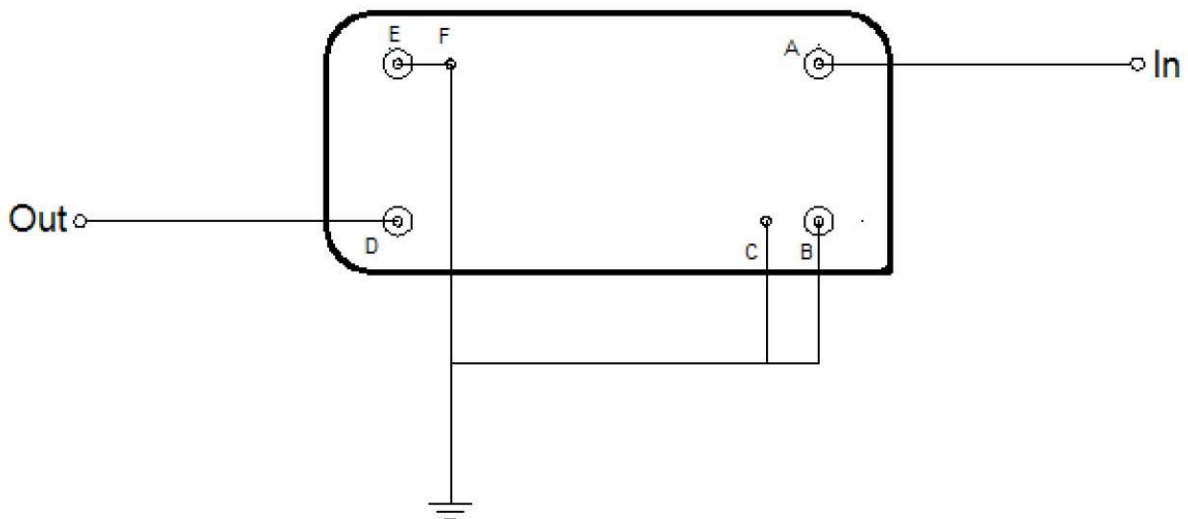


Outline Drawing:



Pin Description	
B C E F	Ground
A	Input
D	Output

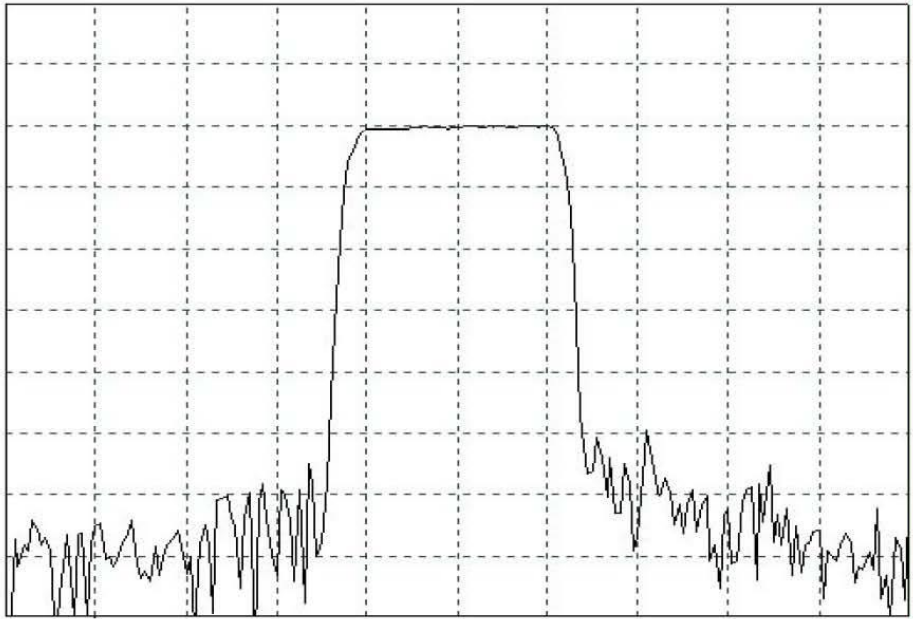
Testing Environment:



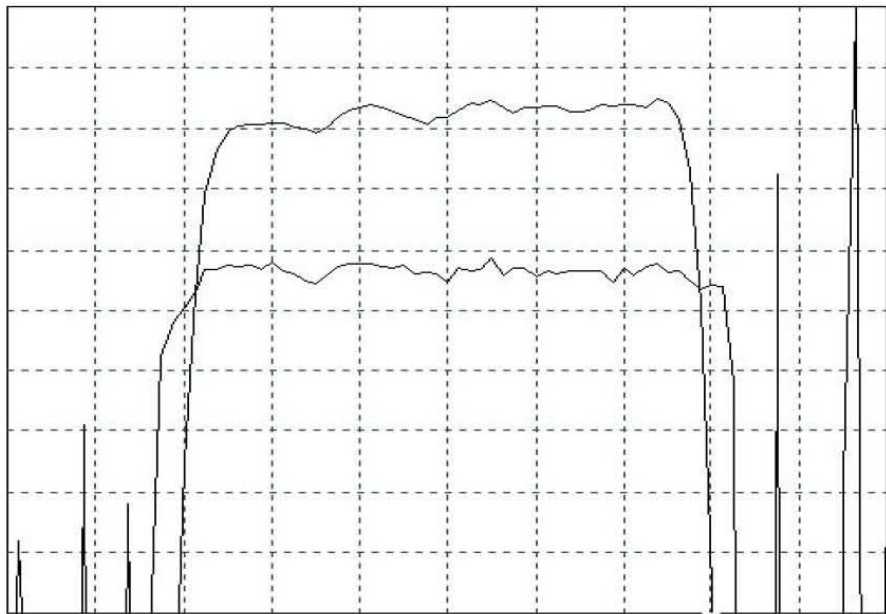
Source/Load Impedance = 50 Ω



Frequency Response:



Horizontal : 3.0 MHz/Div
Vertical : 10 dB/Div



Horizontal : 1.2 MHz/Div
Vertical : 1.0 dB/Div
Vertical : 100 ns/Div