



70 MHz IF Saw Filter

Part Number: AM70S728

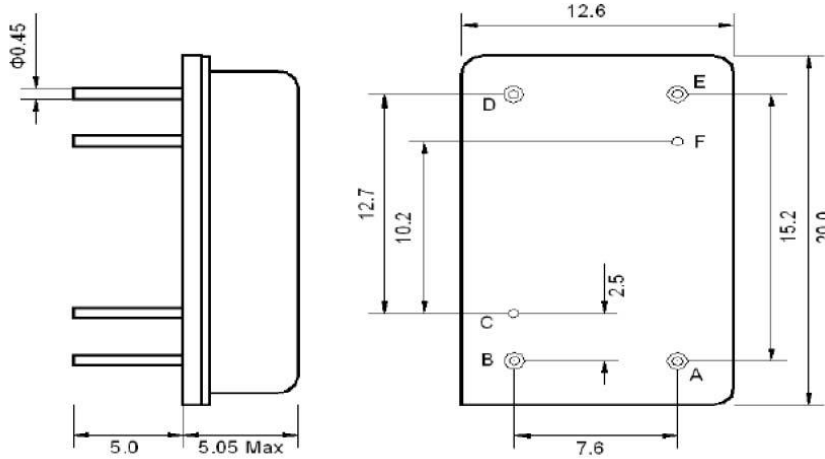


Parameters Description	Unit	Minimum	Typical	Maximum
Center Frequency (Fo)	MHz	69.8	70.0	70.2
Insertion Loss at Fo	dB	-	8.2	9.0
Amplitude Ripple Variation at Fo ± 2.1 MHz	dB _{p-p}	-	0.7	1.0
Group Delay Variation at Fo ± 2.1 MHz	nsec	-	110	150
Absolute Delay at Fo	µsec	-	0.85	-
Temperature Coefficient	ppm/°C	-	-94	-
Bandwidth at -1.0 dB	MHz	5.2	5.6	-
Bandwidth at -3.0 dB	MHz	6.0	6.5	-
Bandwidth at -40.0 dB	MHz	-	9.5	10.0
Relative Attenuation:				
10 ~ 64.5 MHz	dB	40	45	
75.5 ~ 140 MHz	dB	40	43	
In/Out Return Loss at Fo	dB	-	-	-

Parameters Description	Unit	Minimum	Typical	Maximum
Operation Temperature Range	°C	-30	-	+80
Storage Temperature Range	°C	-40	-	+85
Maximum DC Voltage	V	-	-	10
Maximum Input Power	dBm	-	-	10
Source Impedance (Single Ended) ₁	Ω	-	50	-
Load Impedance (Single Ended) ₁	Ω	-	50	-
Package Size and Type	20.0 x 12.6 x 5.05 mm		D	

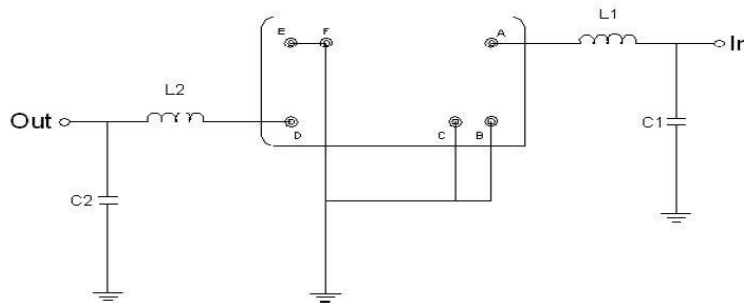


Outline Drawing:



Pin Description	
B C E F	Ground
A	Input
D	Output

Testing Environment:



Test Fixture & Values		
Input	L1=TBD	Q >40, C1=TBD
Output	L2=TBD	Q >40, C2=TBD
Source/Load Impedance		50 Ω



Frequency Response:

