



**ANATECH ELECTRONICS INC**  
RF & Microwave Filters & Products

## 70 MHz Saw Filter

**Part Number: AM70S919**



| Parameters Description           | Unit | Minimum | Typical | Maximum |
|----------------------------------|------|---------|---------|---------|
| Center Frequency (Fo)            | MHz  | 69.97   | 70.00   | 70.03   |
| Insertion Loss at Fo             | dB   | -       | 20.0    | 22.0    |
| Passband Ripple at Fo ± 0.55 MHz | dB   | -       | 0.7     | 1.0     |
| Phase Linearity                  | °rms | -       | 4.2     | 5.0     |
| Absolute Delay                   | µsec | -       | 3.45    | -       |
| Bandwidth at 1.0 dB              | MHz  | 1.26    | 1.29    | -       |
| Bandwidth at 40.0 dB             | MHz  | 1.8     | 1.78    | -       |
| <b>Attenuation:</b>              |      |         |         |         |
| Fo ± 0.9 MHz                     | dB   | 40      | 43      | -       |
| Fo ± 1.25 MHz                    | dB   | 40      | 45      | -       |
| Fo ± 1.7 MHz                     | dB   | 40      | 45      | -       |
| Ultimate Rejection               | dB   | 40      | 50      | -       |
| Substrate Material               | Qz   |         |         |         |
| Ambient Temperature              | 25°C |         |         |         |

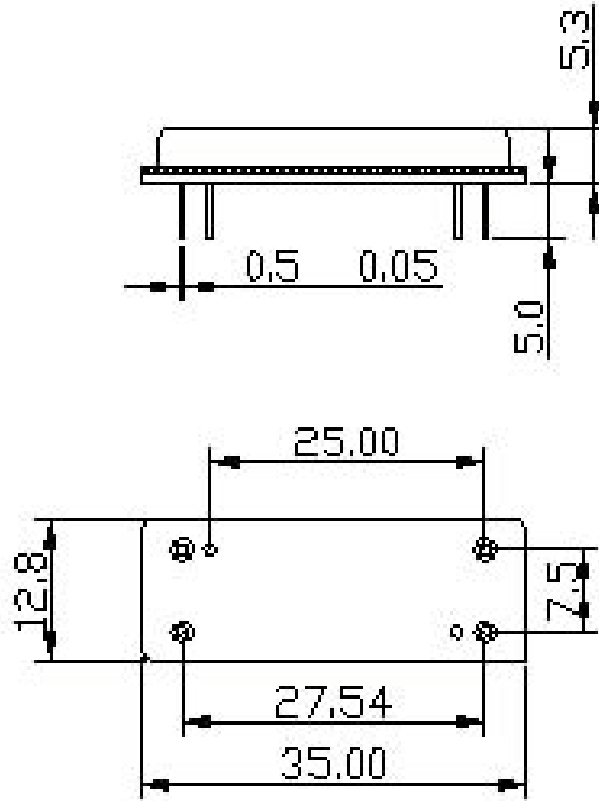


# 70 MHz Saw Filter

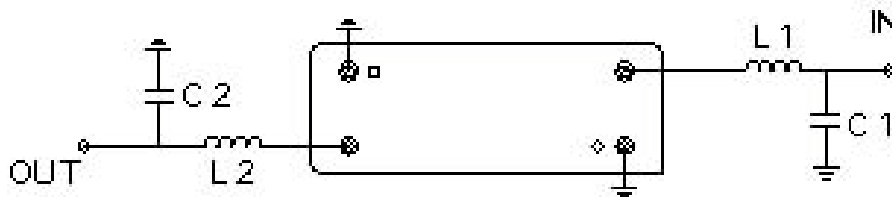
## Part Number: AM70S919



### Outline Drawing:



### Testing Environment:



$$L1 = 220 \text{ nH} \quad C1 = 51 \text{ pF}$$

$$L2 = 220 \text{ nH} \quad C2 = 56 \text{ pF}$$

Source/Load Impedance = 50  $\Omega$

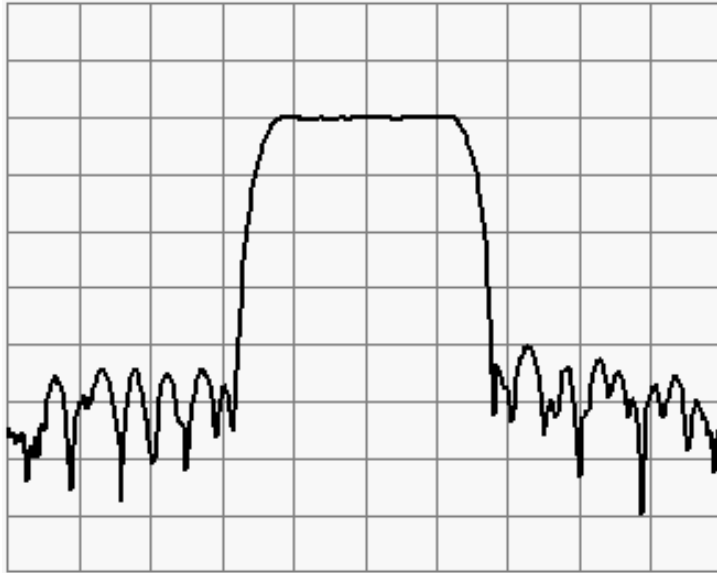


# 70 MHz Saw Filter

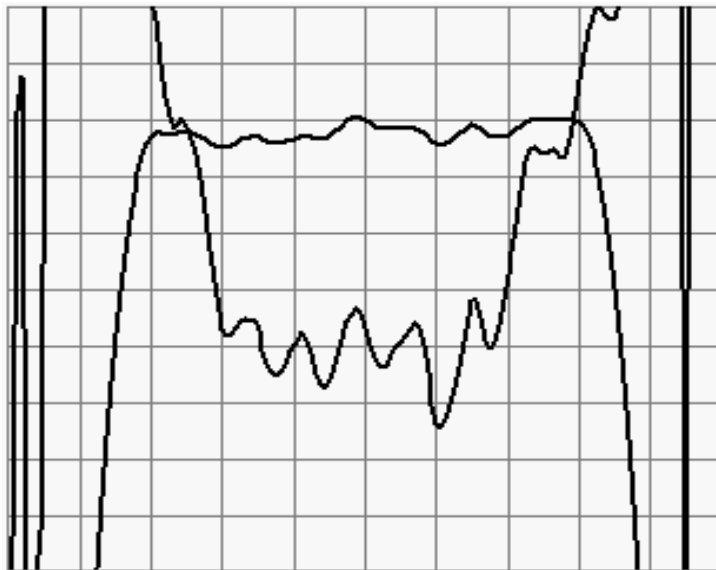
## Part Number: AM70S919



### Frequency Response:



Horizontal: 0.5 MHz/Div  
Vertical: 10 dB/Div



Horizontal: 0.2 MHz/Div  
Vertical: 1.0 dB/Div  
Vertical: 100 ns/Div