



ANATECH ELECTRONICS INC
RF & Microwave Filters & Products

70 MHz Saw Filter

Part Number: AM70S920



Parameters Description	Unit	Minimum	Typical	Maximum
Center Frequency (Fo)	MHz	69.92	70.00	70.08
Insertion Loss at Fo	dB	-	22.0	24.0
Amplitude Ripple	dB	-	0.60	1.00
Group Delay Variation	nsec	-	150	300
Absolute Delay Time	µsec	-	4.6	-
Bandwidth at 1.0 dB	MHz	-	1.26	-
Bandwidth at 3.0 dB	MHz	-	1.36	-
Bandwidth at 40.0 dB	MHz	-	1.80	-
Ultimate Attenuation	dB	45	48	-
Source/Load Impedance	Ω	-	50	-
Temperature Coefficient	ppm/°C	-	-0.03	-
Substrate Material	Quartz			
Package Size	34.7 x 12.6 x 5.0 mm			

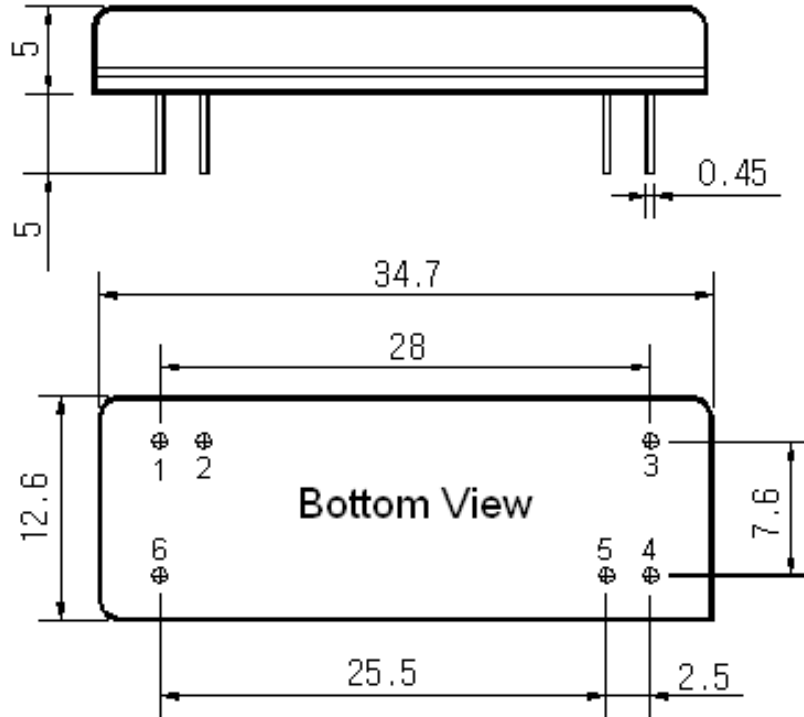


70 MHz Saw Filter

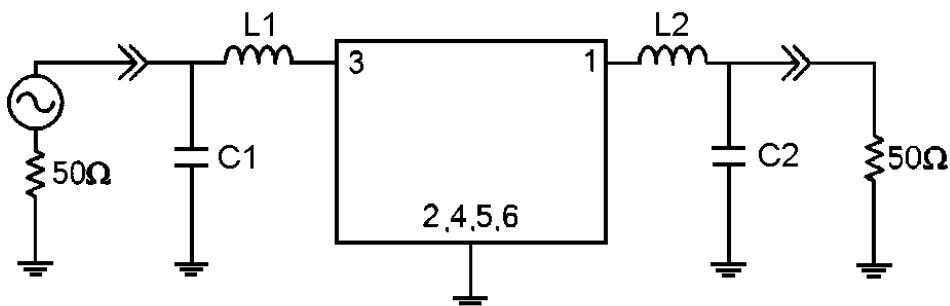
Part Number: AM70S920



Outline Drawing:



Matching Configuration:



50Ω Single-ended

L1, L2, C1, C2 = TB