



ANATECH ELECTRONICS INC
RF & Microwave Filters & Products

751 MHz RF-Rx Saw Band Pass Filter

Part Number: AM751S1106



Electrical Specifications:

Parameters Description	Unit	Minimum	Typical	Maximum
Center Frequency (Fo)	MHz	-	751.0	-
Insertion Loss within 746.0 ~ 756.0 MHz	dB	-	2.0	2.8
Amplitude Ripple within 746.0 ~ 756.0 MHz	dB _{p-p}	-	0.8	1.0
Relative Attenuation:				
15.5 ~ 15.5 MHz	dB	50	61	-
31.0 ~ 31.0 MHz	dB	50	61	-
716.0 ~ 728.0 MHz	dB	30	40	-
766.5 MHz	dB	15	25	-
771.0 ~ 777.0 MHz	dB	25	32	-
777.0 ~ 787.0 MHz	dB	35	38	-
808.0 ~ 818.0 MHz	dB	45	54	-
824.0 ~ 849.0 MHz	dB	45	52	-
880.0 ~ 915.0 MHz	dB	40	49	-
1523.0 ~ 1543.0 MHz	dB	30	36	-
1570.0 ~ 1580.0 MHz	dB	30	36	-
1850.0 ~ 1910.0 MHz	dB	25	32	-
1920.0 ~ 1980.0 MHz	dB	25	32	-
2300.0 ~ 2330.0 MHz	dB	23	29	-
2400.0 ~ 2500.0 MHz	dB	23	28	-
2500.0 ~ 3000.0 MHz	dB	20	25	-
3000.0 ~ 4000.0 MHz	dB	15	22	-
4000.0 ~ 5000.0 MHz	dB	10	20	-
5000.0 ~ 6000.0 MHz	dB	10	19	-
VSWR within 746.0 ~ 756.0 MHz	-	-	1.4	2.0

Notes: (1) No Matching Network (Ref. Testing Environment Circuit as shown below).



ANATECH ELECTRONICS INC
RF & Microwave Filters & Products

751 MHz RF-Rx Saw Band Pass Filter

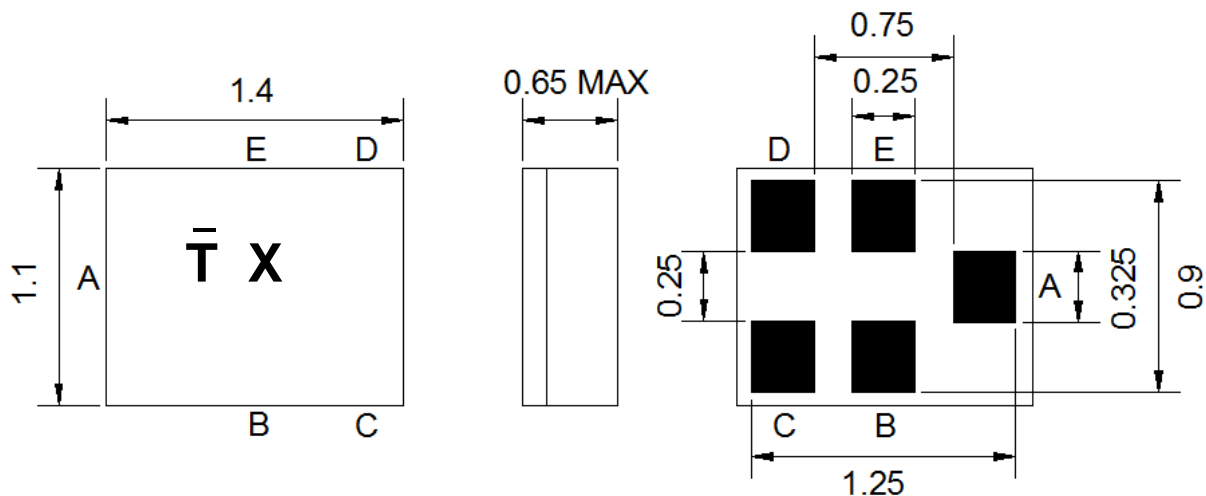
Part Number: AM751S1106



Maximum Ratings:

Parameters Description	Unit	Minimum	Typical	Maximum
Operating Temperature Range	°C	-30	-	+85
Storage Temperature Range	°C	-40	-	+85
Maximum DC Voltage	V	-	-	0
Maximum Input Power	dBm	-	-	10
Source Impedance (unbalanced) ⁽¹⁾	Ω	-	50	-
Load Impedance (unbalanced) ⁽¹⁾	Ω	-	50	-
Package type & size	C21			
Length x Width	mm ²	-	1.4 x 1.1	-
Height	mm	-	-	0.65

Outline Drawing:

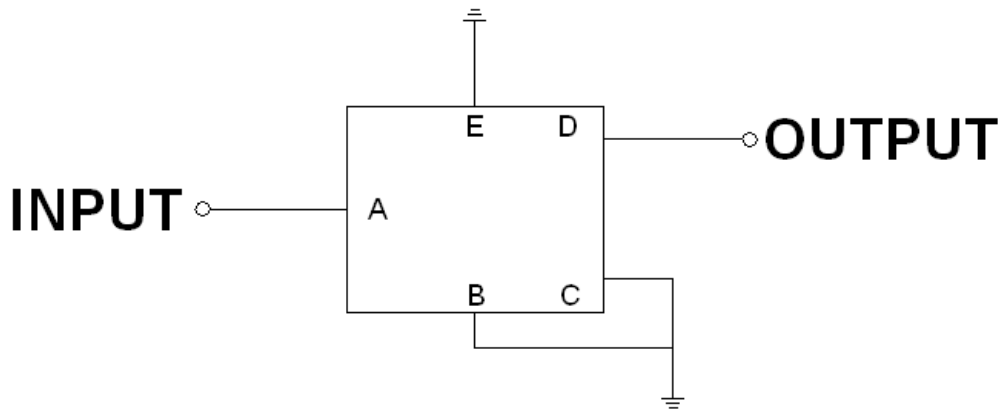


Marking Descriptions	
T	Series Number
X	Date Code(Year+Month)

Pin Description	
B, C, E	Ground
A	Input
D	Output

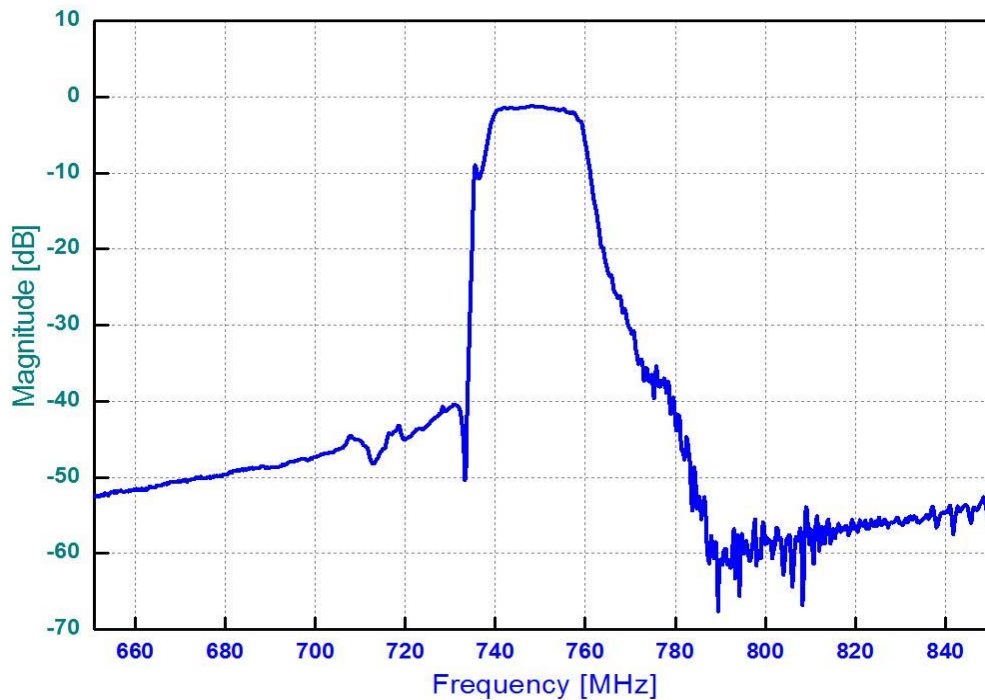


Testing Environment:



Source & Load Impedance: 50 Ω

Frequency Response:





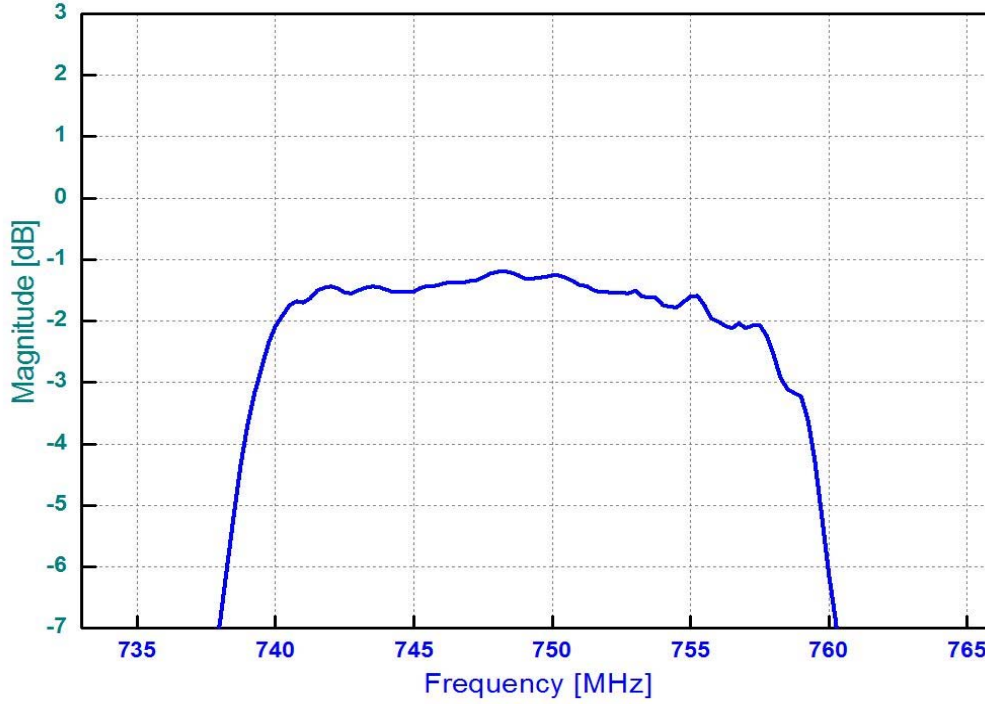
ANATECH ELECTRONICS INC
RF & Microwave Filters & Products

751 MHz RF-Rx Saw Band Pass Filter

Part Number: AM751S1106



Frequency Response:





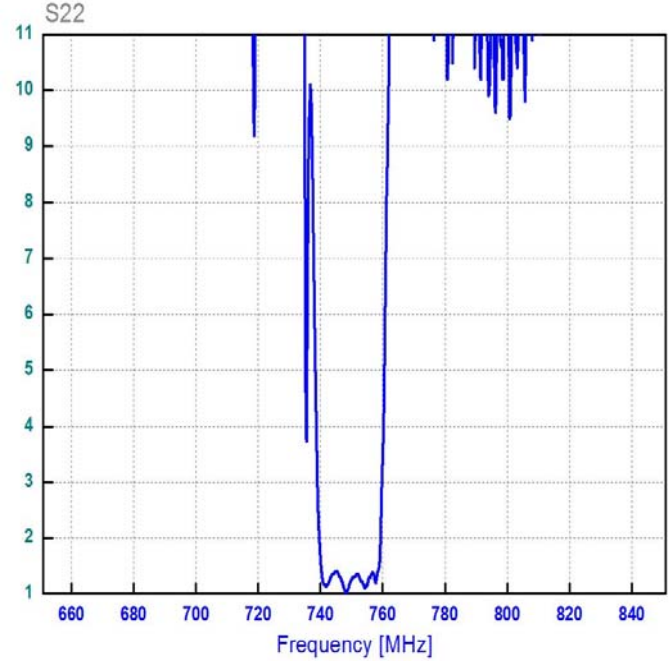
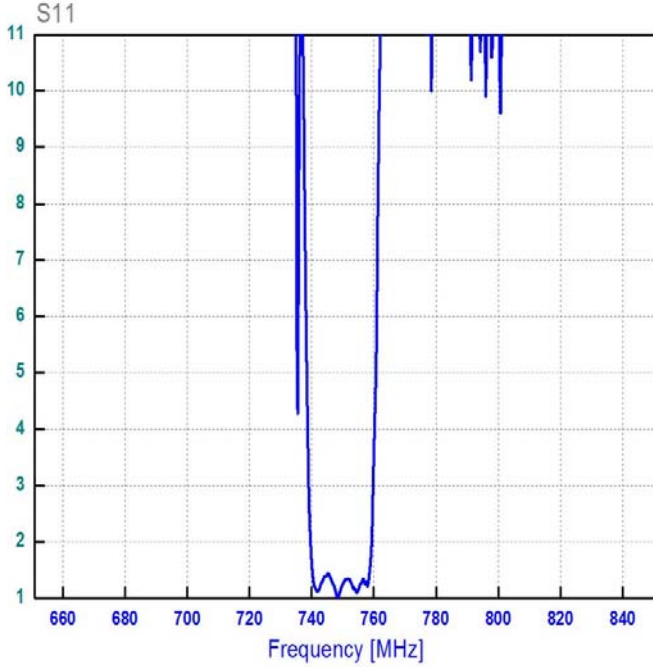
ANATECH ELECTRONICS INC
RF & Microwave Filters & Products

751 MHz RF-Rx Saw Band Pass Filter

Part Number: AM751S1106



VSWR:



Smith Chart:

