

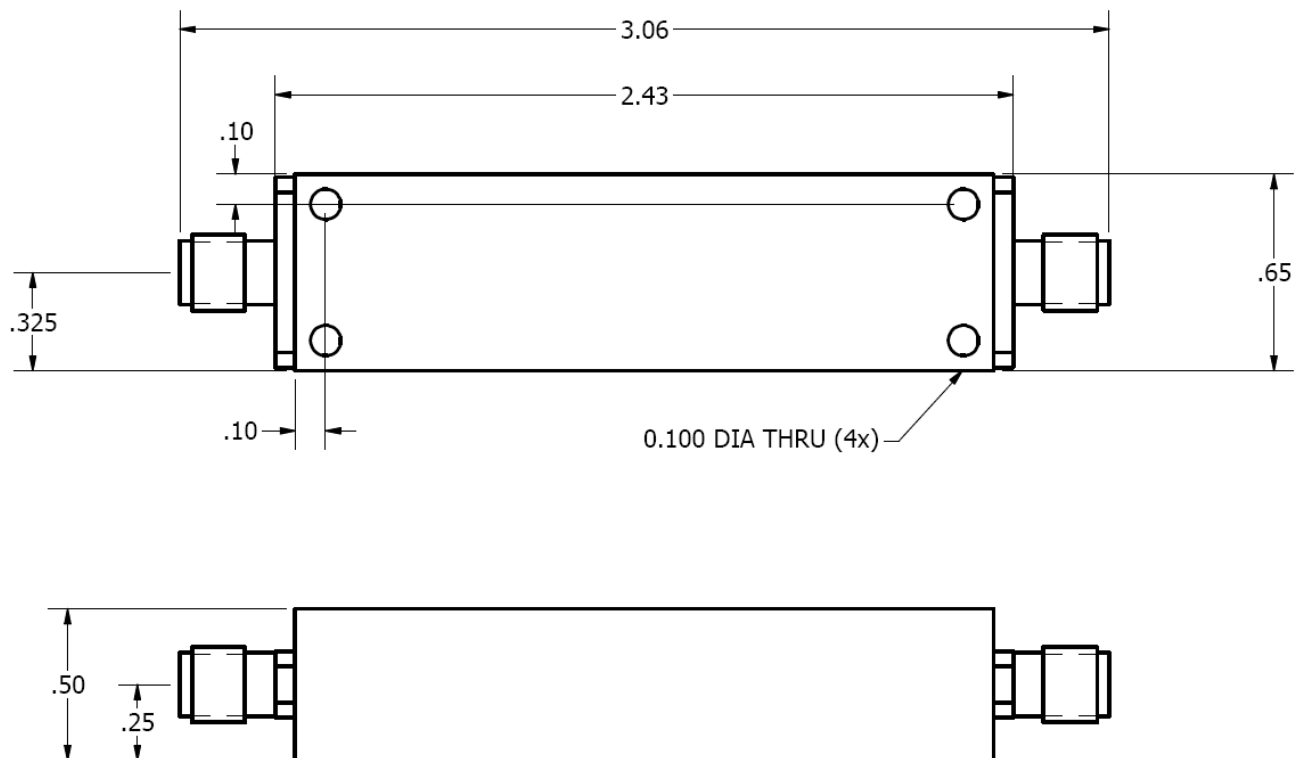


75.48 MHz Crystal Filter

Part Number: AM75CR329

Center Frequency (Fo)	75.48 MHz
-3 dB Bandwidth(BW)	+/-15 KHz min.
Passband Ripple:	+/-1 dB max.
50 dB rejection (min)	50 kHz to 75.28 MHz
	75.68 MHz to 1200 MHz (80 dB rejection from 137.385 to 137.415 MHz)
Passband Insertion Loss:	10 dB typ.
Input/Output Impedance:	50 Ohms
VSWR:	2:1
Operating Temperature:	-30 to + 50 deg. C
Max Input Power	+23 dBm

Outline Drawing:





75.48 MHz Crystal Filter

Part Number: AM75CR329

Response Plot:

