



75 MHz IF Saw Filter

Part Number: AM75S655



Parameters Description	Unit	Minimum	Typical	Maximum
Center Frequency (Fo)	MHz	74.94	75.00	75.06
Insertion Loss at Fo	dB	-	23.0	28.0
Passband Ripple Variation	dB	-	0.4	0.8
Group Delay Variation	nsec	-	100	150
Absolute Delay at Fo	µsec	-	2.6	-
Temperature Coefficient	ppm/°C	-	-0.03	-
Bandwidth at -1.0 dB	MHz	0.91	1.0	-
Bandwidth at -3.0 dB	MHz	1.1	1.2	-
Bandwidth at -40.0 dB	MHz	-	1.95	2.0
Ultimate Rejection	dB	40	50	-

Parameters Description	Unit	Minimum	Typical	Maximum
Operation Temperature Range	°C	-30	-	+80
Storage Temperature Range	°C	-40	-	+85
Maximum DC Voltage	V	-	-	10
Maximum Input Power	dBm	-	-	10
Source Impedance (Single Ended) ₁	Ω	-	50	-
Load Impedance (Single Ended) ₁	Ω	-	50	-
Package Size and Type	20.0 x 12.6 x 5.05 mm D			

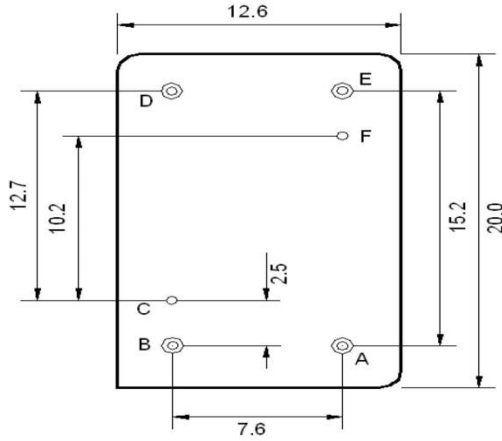
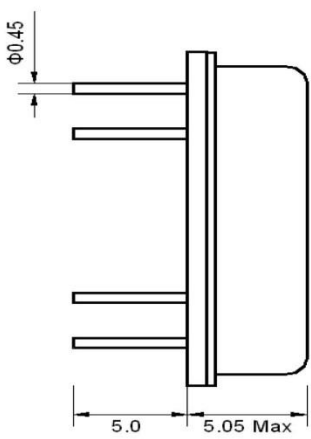


75 MHz IF Saw Filter

Part Number: AM75S655

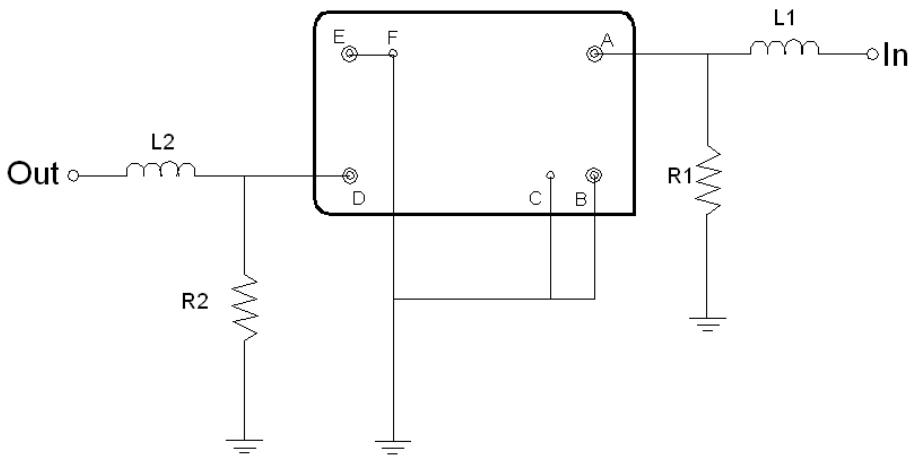


Outline Drawing:



Pin Description	
Ground	B C E F
Input	A
Output	D

Testing Environment:



Test Fixture & Values	
Input	L1 = 220 nH R1 = 1.0 k
Output	L2 = 180 nH R2 = 1.0 k
Source/Load Impedance	50 Ω



75 MHz IF Saw Filter

Part Number: AM75S655

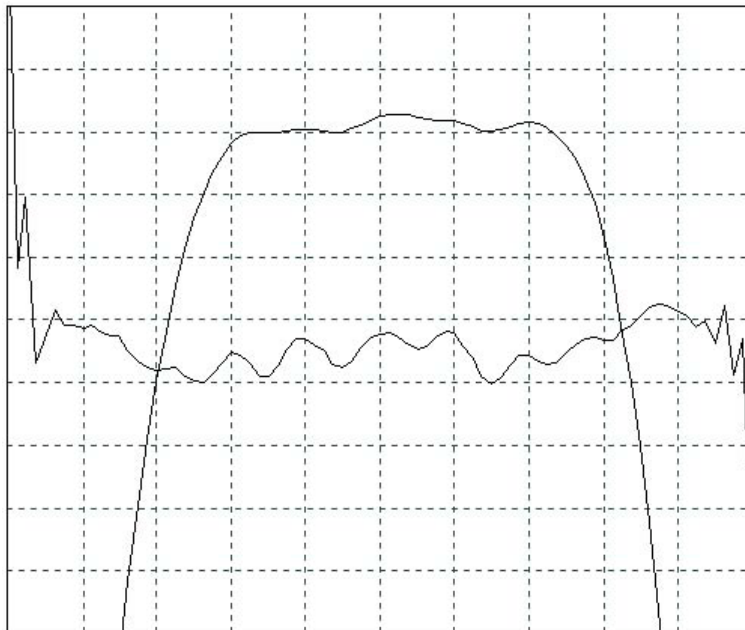


Frequency Response:



Horizontal: 0.5 MHz/Div

Vertical: 10 dB/Div



Horizontal: 0.5 MHz/Div

Vertical: 10 dB/Div