



ANATECH ELECTRONICS INC
RF & Microwave Filters & Products

813.5 MHz / 858.5 MHz Ceramic Duplexer

Part Number: AM813-858D296



Electrical Specifications

Band 1: 813.5 MHz
Band 2: 858.5 MHz
Bandwidth: $F_o \pm 7.5$ MHz
Pole: 8
Insertion Loss: 1.4 dB Max
VSWR in BW: 1.4:1 Max
Ripple in BW: 0.5 dB Max
Band 1 Attenuation: >50 dB @ 851-866 MHz
Band 2 Attenuation: >50 dB @ 806-821 MHz
In/Out Impedance: 50 Ω

Mechanical

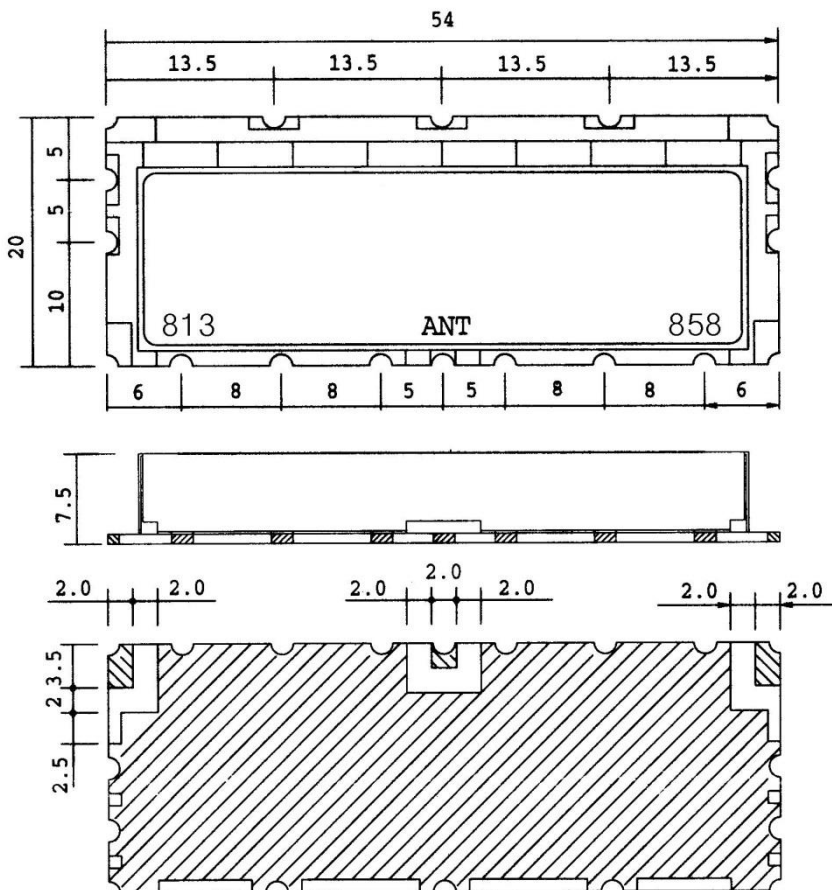
Mounting Method: SMT
Dimensions: 54 x 20 x 7.5 mm

Environmental

Operating Temperature: -30 to +75° C
Storage Temperature: -30 to +85° C

This product is RoHS compliant.

Outline Drawing:



TOLERANCES UNLESS
OTHERWISE SPECIFIED : +/-0.2
UNIT : mm



Response Plot:

