



**ANATECH ELECTRONICS INC**  
RF & Microwave Filters & Products

# 825 MHz Ceramic Bandpass Filter

Part Number: **AM825B1370**



## Electrical specifications

**Center Frequency:** 825 MHz  
**Bandwidth:** Fo ± 35 MHz typ.  
**VSWR:** 1.7 : 1 dB max  
**Input / Output Impedance:** 50 Ohms  
**Passband:** 807.5-842.5 MHz  
**Passband Insertion Loss:** 4.0 dB max  
**Passband Ripple:** 1.0 dB max  
**Rejection:** 40dB min at DC-750 MHz  
**Rejection 2:** 35dB min at 900-2000 MHz  
**Power Handling:** 30 dBm

## Mechanical

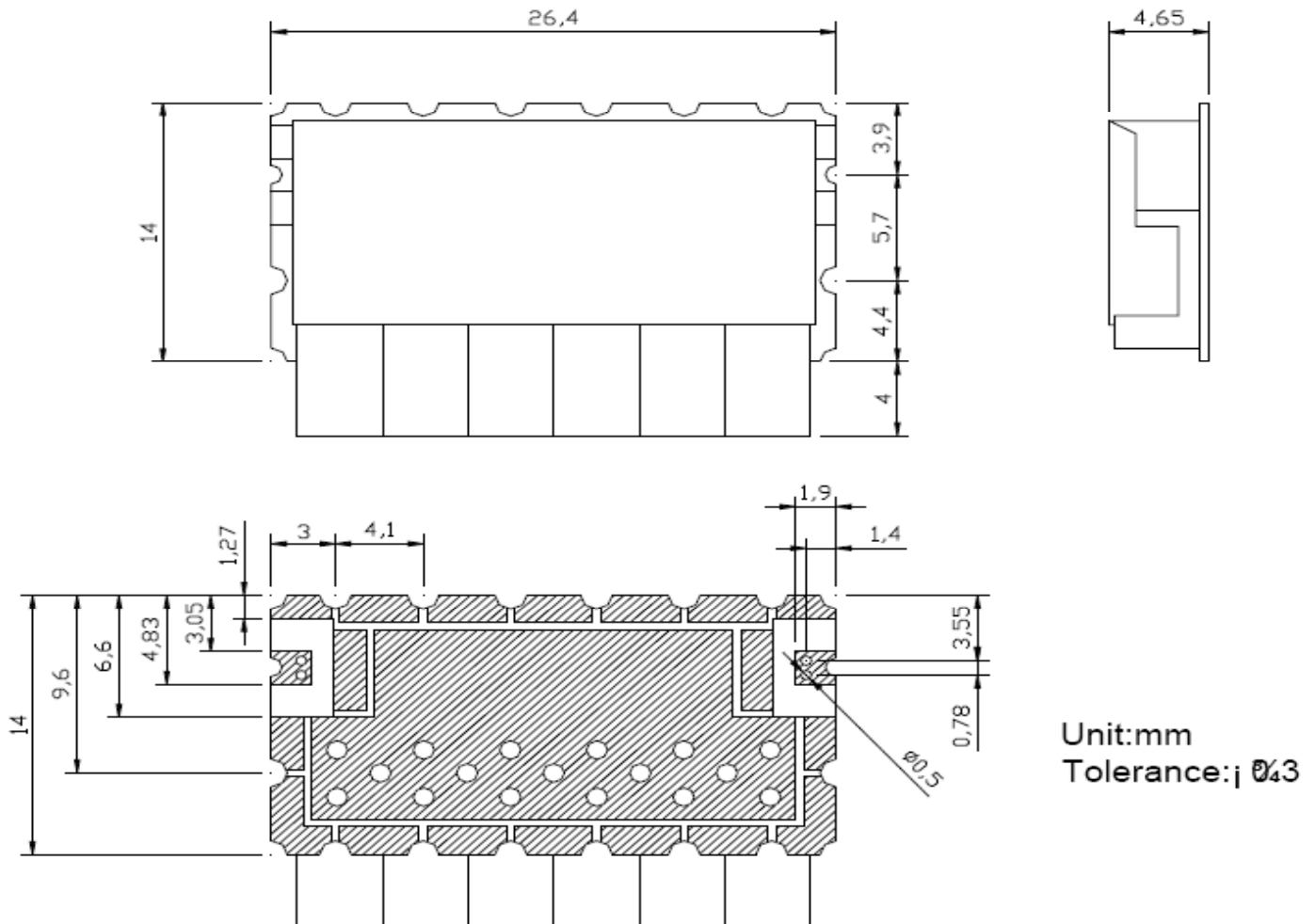
**Mounting Method:** SMT  
**Dimensions:** 26.4 x 14 x 4.65 mm

## Environmental

**Operating Temperature:** -20°C to 70°C  
**Storage Temperature:** -50°C to +90°C

This product is RoHs compliant.

## Outline Drawing:





**ANATECH ELECTRONICS INC**  
RF & Microwave Filters & Products

# 825 MHz Ceramic Bandpass Filter

Part Number: AM825B1370



## Response Plot:

