



ANATECH ELECTRONICS INC
RF & Microwave Filters & Products

82.5 MHz IF Saw Filter

Part Number: AM82S658



Parameters Description	Unit	Minimum	Typical	Maximum
Center Frequency (Fo)	MHz	-	82.5	-
Insertion Loss at Fo	dB	-	24.2	26.0
Amplitude Ripple Variation	dBp-p	-	0.5	1.0
Group Delay Variation	nsec	-	30	60
Absolute Delay at Fo	usec	-	2.2	-
Bandwidth at -1.0 dB	MHz	17.9	18.0	-
Bandwidth at -3.0 dB	MHz	18.3	18.4	-
Bandwidth at -35.0 dB	MHz	-	19.8	19.9
Bandwidth at -40.0 dB	MHz	-	19.9	20.0
Ultimate Rejection	dB	50	55	-
Temperature Coefficient	ppm/°C	-	-72	-

Parameters Description	Unit	Minimum	Typical	Maximum
Operation Temperature Range	°C	-30	-	+80
Storage Temperature Range	°C	-40	-	+85
Maximum DC Voltage	V	-	-	10
Maximum Input Power	dBm	-	-	10
Source Impedance (Single Ended) ₁	Ω	-	50	-
Load Impedance (Single Ended) ₁	Ω	-	50	-
Package Size and Type	20.0 x 12.6 x 5.05 mm D			

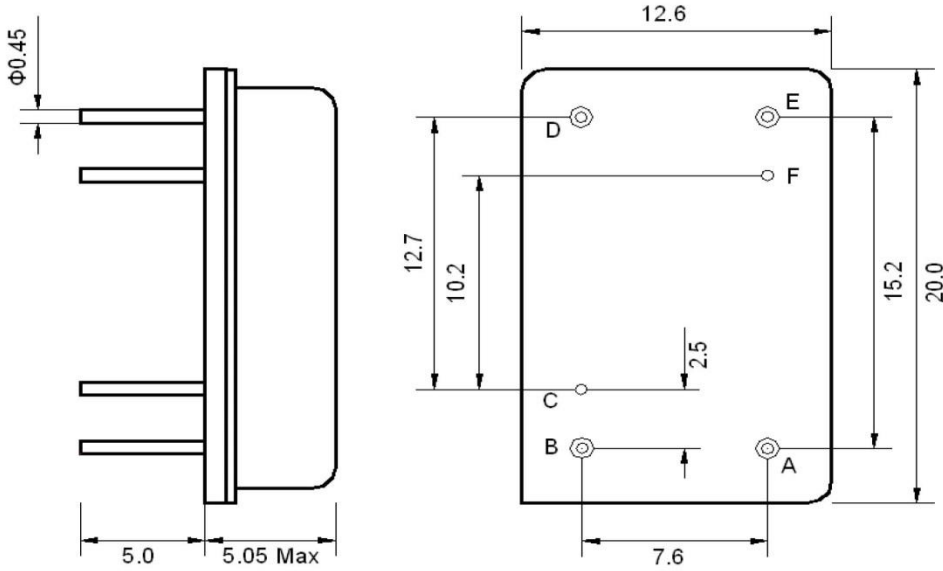


82.5 MHz IF Saw Filter

Part Number: AM82S658

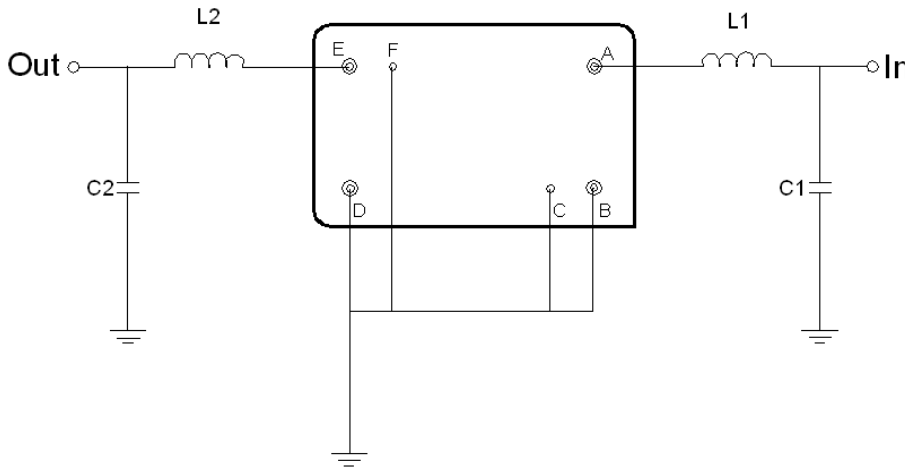


Outline Drawing:



Pin Description	
Ground	B C D F
Input	A
Output	E

Testing Environment:



Pin Description	
Ground	L1 = 22 nH Q>40
Input	L2 = 33 nH Q>40
Source/Load Impedance	50 Ω



82.5 MHz IF Saw Filter

Part Number: AM82S658



Frequency Response:

